

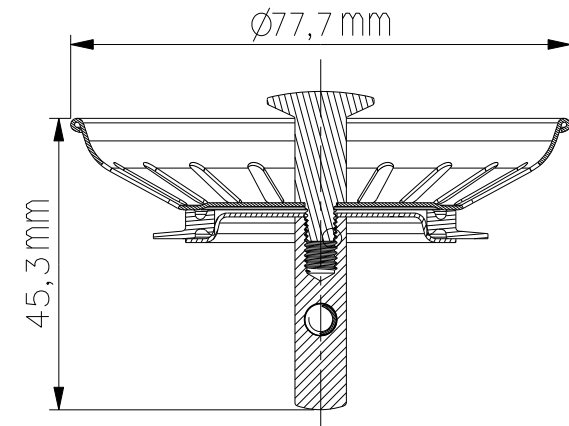
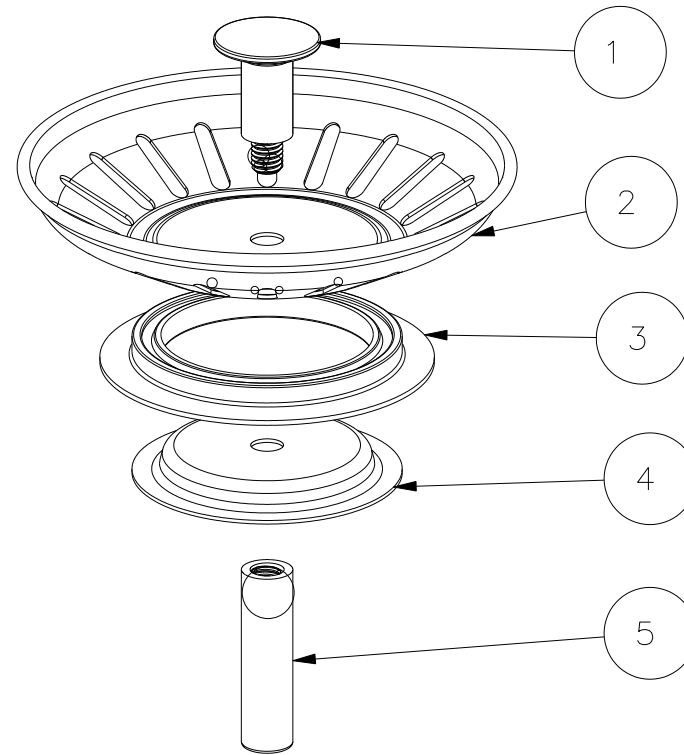
kinetic

4920578
21/11/25

SINK STRAINER

STAINLESS STEEL

Suits standard sink wastes



WMTS-040:2022
LN: WM-032296

Item Number: 4920578
HAR0009

All dimensions in millimetres (mm) and subject to manufacturing tolerances.