

M6.2-13 HEX HEAD VORTEX PLUS™

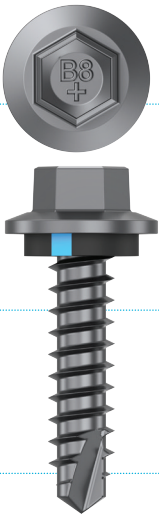


APPLICATION

Bremick® M6.2-13 x 25 Hex Head Vortex Plus™ screw is designed for valley fixing cladding to top hat and timber battens.

The Vortex Plus™ screw can also be used into steel purlin up to 1.5 mm purlin in thickness.

PRODUCT ATTRIBUTES



B8+ Hex Head provides traceability and offers greater engagement and hex socket stability.

Finish high corrosion performance with the B8 Coating. Suitable for Category 5 corrosive environments in accordance with ISO 9223-2012 and AS4312:2019

Vortex® Point with **thread-to-point technology** for faster starting, no skidding and stable installation.

DRILLING & INSTALLATION CAPACITY

Base Materials:

- Timber (JD3 min).
- Metal Battens 0.75mm BMT G550 min.
- Steel Purlins 1.5mm BMT G450 max.

When fastening to timber, ensure a minimum thread embedment of 25mm.

When fastening metal, ensure 3 threads minimum embedment, protrude below battens / purlins. In cyclonic regions, consult design professionals for fastener spacing.

INSTALLATION INSTRUCTIONS

1. Use a 5/16" Bremick® Hex Socket.
2. Insert the socket into a Power tool and select a drive speed of 1000 to 1500 RPM.
3. Fit the screw into the socket and position the screw point on the crest of the Rib.
4. Commence drilling at "slow speed" to pierce sheeting.
5. Apply firm pressure, drive until the seal seats firmly. Do NOT overdrive. Reverse screw if washer or roof sheet is deformed from over driving.

M6.2-13 HEX HEAD VORTEX PLUS™

MECHANICAL PROPERTIES

SIZE	Single Shear (kN)	Axial Tensile (kN)	Torsional (Nm)
M6.2-13	10.2	16.7	16.2

PULL OUT VALUES

Mean Ultimate Pull Out Force kN – Steel Purlins

SIZE	1.2mm BMT G450	1.5mm BMT G450	1.9mm BMT G450	2.4mm BMT G450
M6.2-13	4.3	5.9	7.6	9.8

Mean Ultimate Pull Out Force kN – Metal Battens

SIZE	0.55mm BMT G550	0.75mm BMT G550	0.95mm BMT G550	1.15mm BMT G550
M6.2-13	1.7	2.2	3.3	4.4

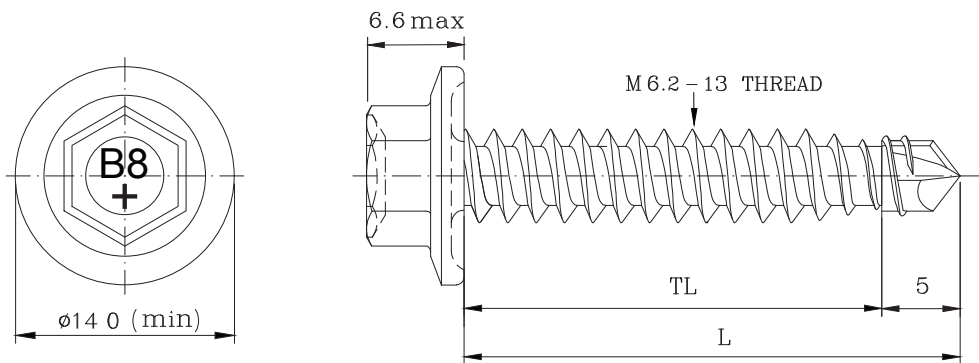
Mean Ultimate Pull Out in F5/JD4 Timber (Radiata Pine)

SIZE	17mm Embedment
M6.2-13	1.5

Mean Ultimate Pull Out in F17/J3 Timber (Hardwood)

SIZE	17mm Embedment
M6.2-13	2.6

Note: The above data represents characteristic capabilities obtained under laboratory conditions and are only applicable to Bremick products. The design professional must apply appropriate safety factors.



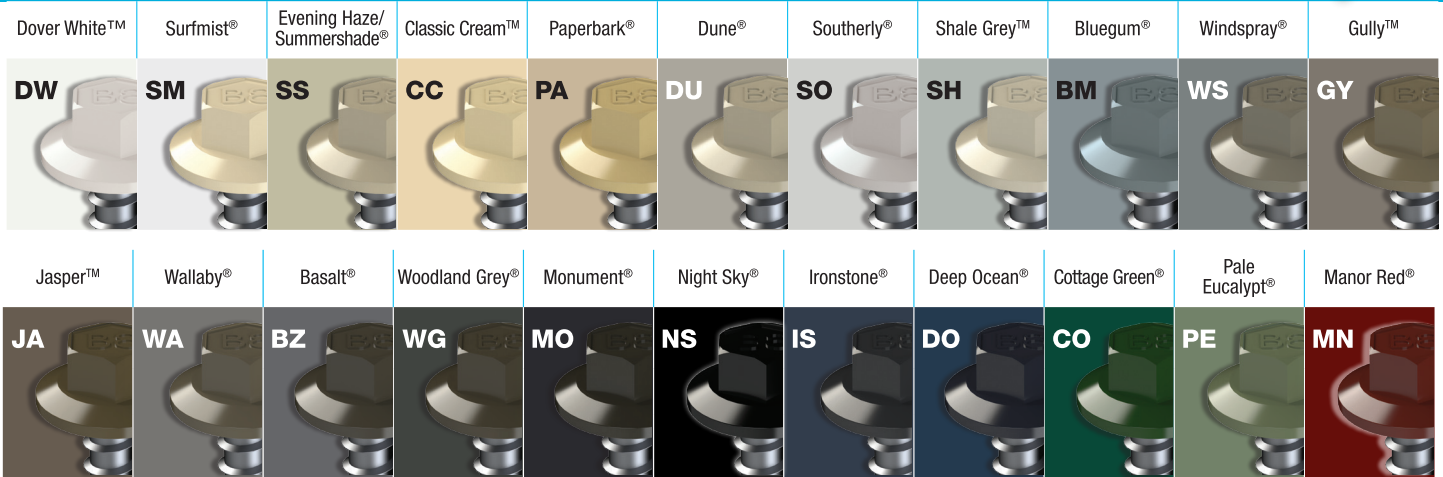
RANGE

Product Code	Description	Head Driver	Pack Qty (EA)	Finish	Length L (mm)	Thread Length TL (mm)
SUHC8620252	VORTEX PLUS 6.2-13X25 HEX	5/16" Hex	500	B8® COATING	25	22.3
SUHC8620257	VORTEX PLUS 6.2-13X25 HEX +SL	5/16" Hex	100	B8® COATING	25	22.3
SUHC8620251	VORTEX PLUS 6.2-13X25 HEX +SL	5/16" Hex	500	B8® COATING	25	22.3
SVROXC8620351I	VORTEX PLUS 6.2-13x35 HEX +SL	5/16" Hex	500	B8® COATING	25	22.3
SVROXC8620351T	VORTEX PLUS 6.2-13x35 HEX +SL	5/16" Hex	100	B8® COATING	35	32.3

M6.2-13 HEX HEAD VORTEX PLUS

Vortex®PLUS - COLORBOND® COLOURS

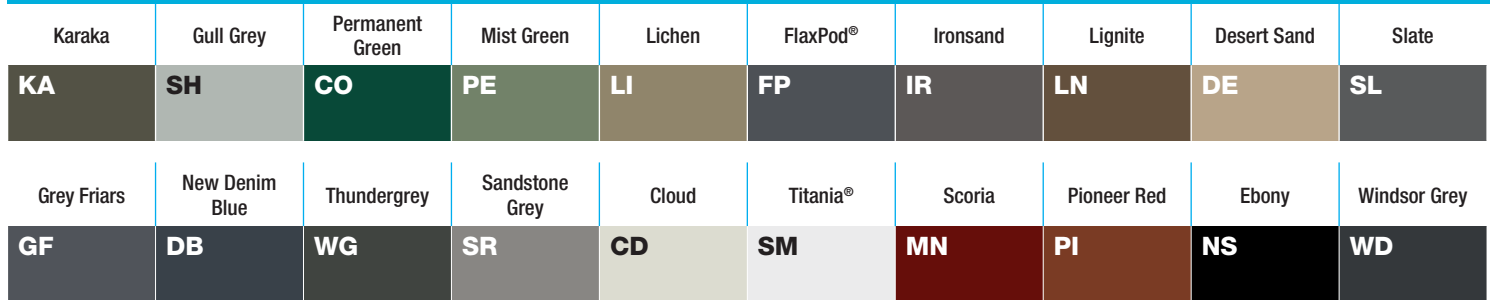
Full range of Painted Screws available in COLORBOND® Steel & Ultra Steel colours.



®,™ All colours listed are Trademarks of Bluescope Steel Ltd

Vortex®PLUS - NZ COLORSTEEL® COLOURS

Full range of Painted Screws available in COLORSTEEL® ENDURA® & MAXX® colours.



®,™ All colours listed are Trademarks of New Zealand Steel Ltd

For Painted Vortex Plus, add the two digit paint code to the middle of the plain code.
e.g: Bluegum® and Basalt® below:

Product Code	Product Description
SUHC8BM6251	VORTEX PLUS 6.2-13x25 HEX B8(Cat5) +SL -BM
SUHC8BZ6251	VORTEX PLUS 6.2-13x25 HEX B8(Cat5) +SL -BZ

Whilst every care was taken in the preparation of this publication, Bremick® accepts no responsibility for the accuracy of the information supplied. Bremick® reserves the right to make alterations to specifications as part of ongoing development and improvement. This publication serves as a guide and it's the responsibility of the end user to ensure suitability for their application. The contents of this publication are the exclusive copyright of Bremick® and may not be reproduced without permission.

BREMICK®

Bremick Pty Ltd
Head Office | 88 Dalmeny Avenue, Rosebery 2018
National Distribution Centre | M5/M7 Logistics Park,
Warehouse 4B, 290 Kurrajong Road, Prestons NSW 2170
www.bremick.com.au