



HÄFELE

> Application:

For supporting front edge of a two piece shelf

> Material:

Plastic

> Finish:

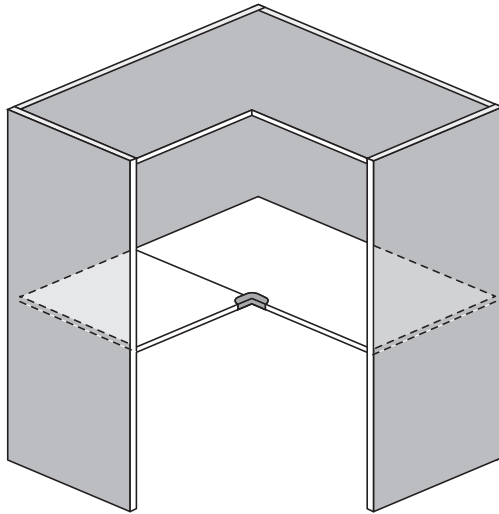
White

> To suit material thickness (mm):

16

> Dimensions (mm):

77 x 77 x 20 (L x W x H)



MADE IN CHINA



HÄFELE AUSTRALIA PTY. LTD
ARTICLE # 482.04.387

8 MONTEREY RD DANDENONG VIC 3175
730.83.696



4 PCS

HÄFELE

CORNER SHELF SUPPORT

