

BRASSHARDS



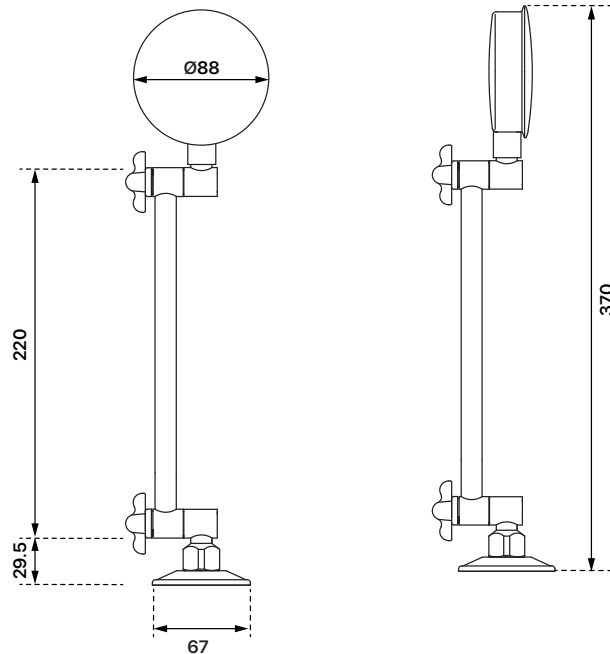
PLUMBING SUPPLIES SPECIALIST

TRADE SHOWERS

Item Code: 15SH422CL
Finish: Chrome
Material: Brass
Warranty: 1 Year
WELS Rego: S07449
WELS Rating: 3 Star /8Lpm



ALL DIRECTIONAL SHOWER CHROME (BLISTER PK)



WaterMark

AS/NZS 3662:2005
WMKT25469