

PLUMBERS INSTALLATION INSTRUCTIONS

Important

- * Shower rose (5) is fitted with flow regulator (4). This lower flow rate may not be suitable for connection to some gravity fed Water Heaters, low pressure supply networks, Instantaneous Water Heaters, Tempering Valves, Solar Water Heaters & Thermostatic Mixing Valves. Check with the manufacturers of these products. Note: Warranty is void if flow regulator (4) is not installed as shown.
- * Not suitable for gravity feed systems.
- * All pipework must be thoroughly flushed prior to installation, as foreign materials may block the flow regulating device and reduce the flow of water.

Installation

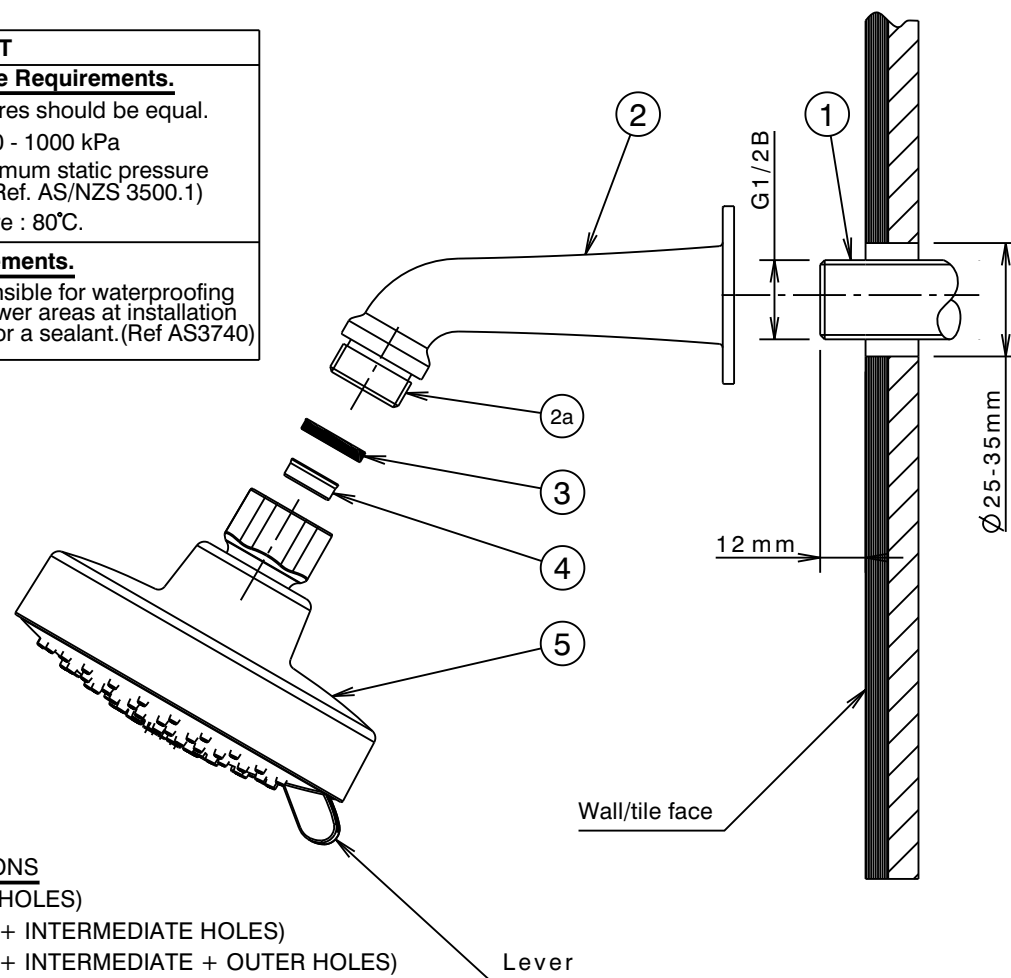
- 1) Check that threaded nipple (1) is the correct length as shown. Cut to length if required ensuring end face is square. Apply thread tape to the thread.
Important : Care must be taken that thread tape cannot become dislodged and block the flow regulating device, causing a reduction in water flow.

- 2) Screw the shower arm (2) onto the threaded nipple (1) and position shower arm as shown. **DO NOT OVERTIGHTEN.**

- 3) Check that flow regulator (4) and rubber filter (3) is installed into shower rose (5) then screw shower rose (5) onto thread (2a).

Note: The shower rose spray can be adjusted by rotating the lever on shower rose (5).

IMPORTANT	
Pressure & Temperature Requirements.	
• Hot and cold water inlet pressures should be equal.	
• Static inlet pressure range : 150 - 1000 kPa	
• New Regulation :-500 kPa maximum static pressure at any outlet within a building. (Ref. AS/NZS 3500.1)	
• Maximum hot water temperature : 80°C.	
Installation Requirements.	
• The installing plumber is responsible for waterproofing all penetrations for Taps in Shower areas at installation by a proprietary flange system or a sealant. (Ref AS3740)	



SHOWERHEAD - THREE FUNCTIONS

- FULL SPRAY (INNER HOLES)
- COMBINATION SPRAY (INNER + INTERMEDIATE HOLES)
- COMBINATION SPRAY (INNER + INTERMEDIATE + OUTER HOLES)

Fig. 1