

BR=MICK®

XTP®

EXTREME TRADE PERFORMANCE

LANDSCAPING & CONSTRUCTION

Bremick® XTP® Landscaping & Construction Screw instantly bites and drives, installing two times faster, requiring less torque and offering superior corrosion resistance.

Bremick® XTP® Landscaping Screws deliver Xtreme Trade Performance when fixing timber to timber. The large washer head provides greater clamping force than standard timber screws and drive 2x faster. The aggressive thread provides a secure hold and resists timber warping. The TechnoGuard® coating offers moderate corrosion protection and is suitable for hardwood and treated pine timbers.



T40 DRIVE
FREE BIT INCLUDED

SERRATED SHARP THREAD

PYRAMID POINT®

OVER **2X** *
FASTER



• **PRECISION T40 DRIVE**
Resists Cam Out



• **SERRATED SHARP THREAD**
Cuts Timber Fibres



• **PYRAMID POINT®**
Instant Drive

Ideal for Timber to Timber Construction

- Framing
- Decking
- Pergolas
- Landscaping
- Retaining Walls
- Fencing & Gates

ENHANCED APPEARANCE
Treated pine timber approved
Moderate Corrosion Protection



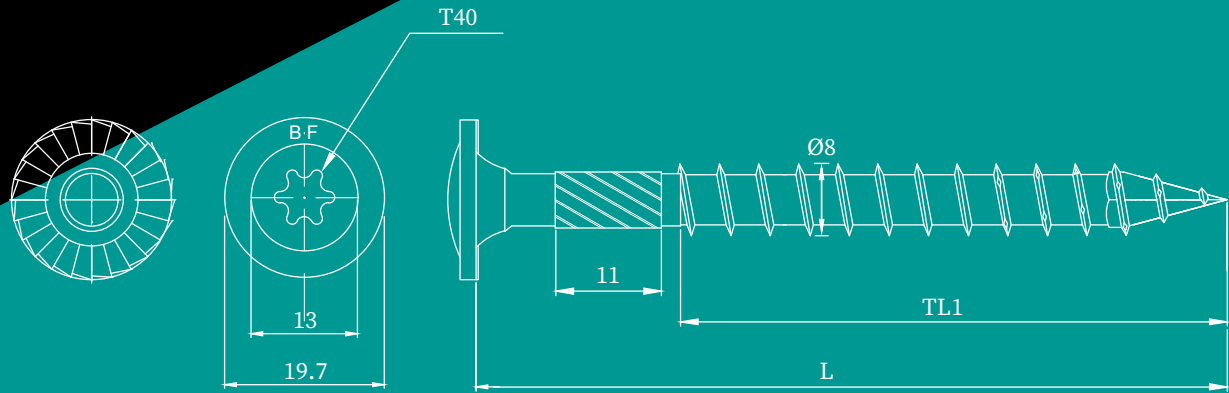
SUITABLE FOR TREATED PINE

BREMICK®

XTP®

EXTREME TRADE PERFORMANCE

LANDSCAPING & CONSTRUCTION



L	TL1
75	40
100	55
125	75
150	75
200	100
250	100
300	100

Material	Single Shear (kN)	Axial Tensile (kN)	Torsional (Nm)	Embedment Depth (mm)	Mean Ultimate Pull Out in F5/JD4 (kN)	Mean Ultimate Pull Out in F17/JD3 Hardwood Timber (kN)
Carbon Steel -18g	17.9	21.4	34.6	35	7.3	12.6

The Axial withdrawal force required in AS3566.1 at 35mm embedment in F5 Radiata Pine is 3.1 kN
 The above results have been conducted under laboratory conditions. Appropriate safety factors must be applied

Bunnings Fineline	Bremick Short Code	Bremick Long Code	Description	Size	Drive Recess	Finish	Qty	Barcode
671182	692550	SQWRTCT180752M	XTP Construction Screw	18g x 75mm	T40 Drive	Technoguard Tan	25	9337357692550
671155	692581	SQWRTCT180752T	XTP Construction Screw	18g x 75mm	T40 Drive	Technoguard Tan	100	9337357692581
671167	692475	SQWRTCT181002M	XTP Construction Screw	18g x 100mm	T40 Drive	Technoguard Tan	25	9337357692475
671145	692536	SQWRTCT181002T	XTP Construction Screw	18g x 100mm	T40 Drive	Technoguard Tan	100	9337357692536
671157	692505	SQWRTCT181252M	XTP Construction Screw	18g x 125mm	T40 Drive	Technoguard Tan	25	9337357692505
671179	692543	SQWRTCT181252T	XTP Construction Screw	18g x 125mm	T40 Drive	Technoguard Tan	100	9337357692543
680326	692468	SQWRTCT181502R	XTP Construction Screw	18g x 150mm	T40 Drive	Technoguard Tan	25	9337357692468
680333	692444	SQWRTCT182002R	XTP Construction Screw	18g x 200mm	T40 Drive	Technoguard Tan	25	9337357692444
680330	692420	SQWRTCT182502R	XTP Construction Screw	18g x 250mm	T40 Drive	Technoguard Tan	25	9337357692420
680338	692413	SQWRTCT183002R	XTP Construction Screw	18g x 300mm	T40 Drive	Technoguard Tan	25	9337357692413

Installation

1. Select a screw length that allows for approximately 50% of the screw to embed into the base material.
2. Insert driver bit into power tool and select speed setting.
3. Place tip of screw at fastening point and apply firm pressure.
4. Drive until head is flush. Do NOT overdrive

DRIVER SPEED:

Softwood: 2,000 - 3,000 RPM
 Hardwood: 500 - 1,000 RPM

DRIVER BIT: T40

NOTE: Pre-drill a 5mm pilot hole when fixing hardwood timber.



Complies with AS3566.2

OVER 2X FASTER*



www.bremick.com.au/xtp

*Between 2x to 3x faster than the traditional Coach Screw depending on length, coating, timber and driving tool.