

DUMMY LEVER/KNOB INSTALLATION INSTRUCTIONS

IMPORTANT:

This Dummy Lever/Knob is designed to suit Left and Right opening doors. Please fasten all screws by hand. Do not use an electric screwdriver or drill as over tightening may impact the products function.

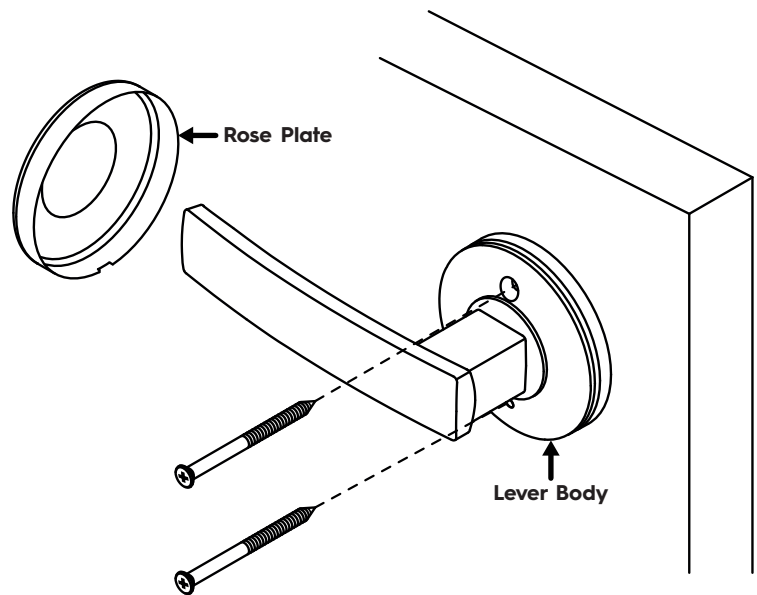
SAFETY TIP:



When assembling or installing this product wear protective gloves and eyewear.

DUMMY LEVER INSTALLATION:

Slide the rose plate off the lever body and position the lever at your desired height. Ensuring the lever is level, mark through the screw holes and drill a 2mm pilot hole. Re-position the lever and fix with the provided screws. Now slide the rose plate back in position.

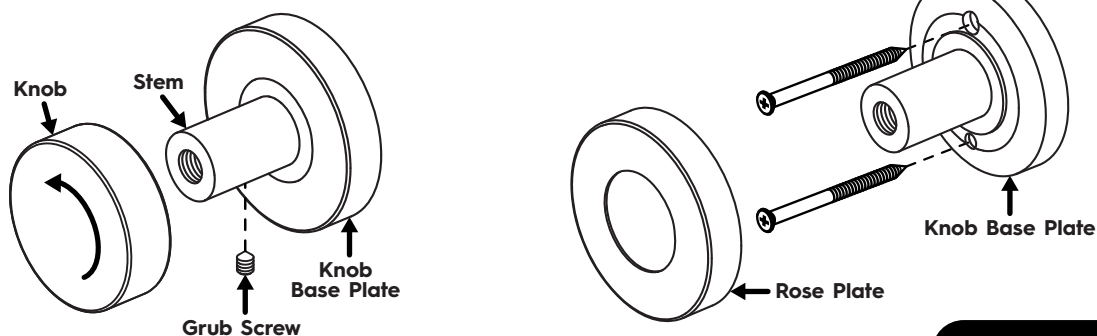


DUMMY KNOB INSTALLATION:

Remove the grub screw positioned on the bottom of the stem then unscrew the knob head by rotating in an anti-clockwise direction.

Slide the rose plate off and position the knob base plate at your desired height. Ensuring the recessed thread on the stem is positioned at the bottom, mark through the screw holes and drill a 2mm pilot hole. Re-position the knob base plate and fix with the provided screws.

Once the knob base plate is fixed in position, screw the knob back onto the stem in a clockwise direction until firm then insert the grub screw to lock the knob in place.



SCAN
FOR
INSTALLATION
VIDEO