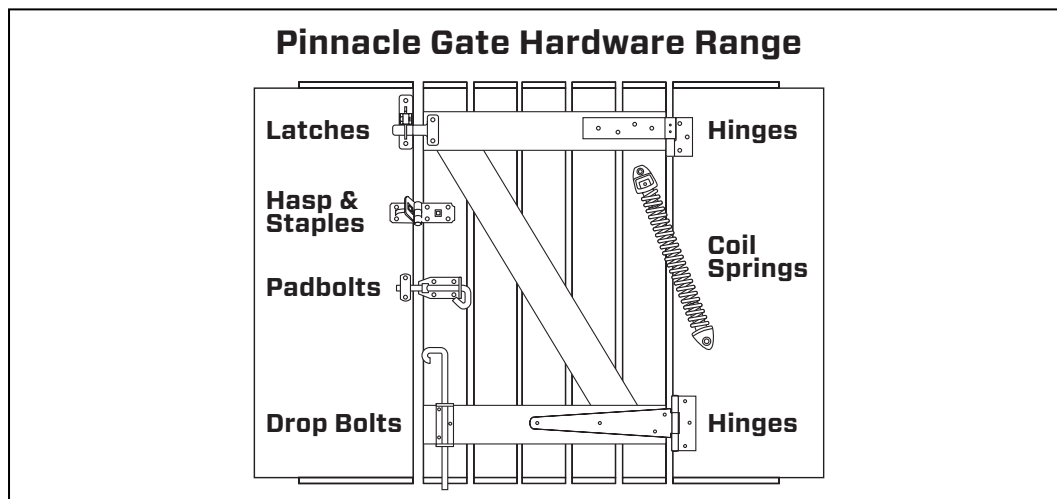
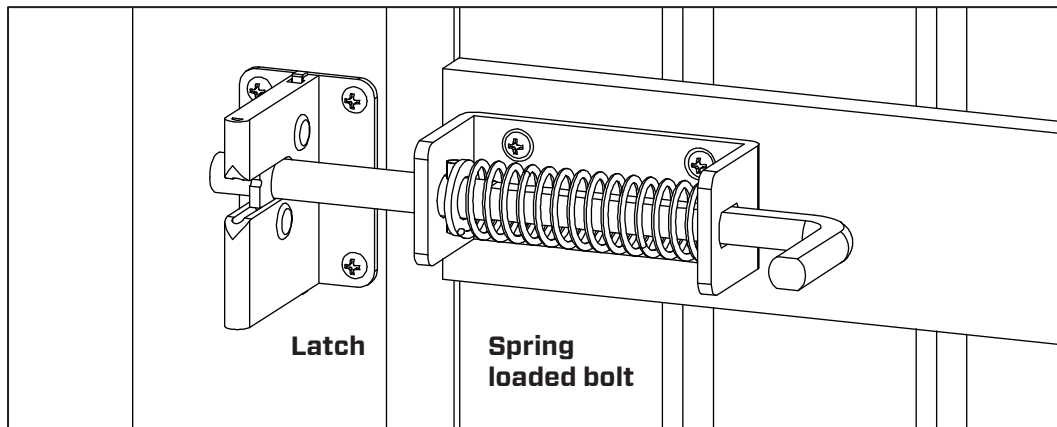


Spring loaded Gate Latch

Tools required: Pencil, No.2 Phillips screwdriver, drill and 2mm drill bit.

Installation instructions:

1. Place latch and spring loaded bolt in desired location (latch on fence post, bolt on gate) ensuring it functions as intended.
2. Mark screw locations for spring loaded bolt and drill pilot holes with 2mm drill bit. Use the countersunk screws provided to fasten the spring loaded bolt to the gate.
3. Position latch so that it engages with the bolt correctly. Mark and drill 2mm pilot holes. Fasten with round head screws.



Corrosion Protection Chart

Finish:	Rating:	
Stainless Steel	Ultimate	🛡️🛡️🛡️
Galvanised	High	🛡️🛡️
Zinc Plated	Moderate	🛡️

Suitable for model no: GHS010, GHS011.

CONNECT WITH US!
PINNACLE.NET.AU

