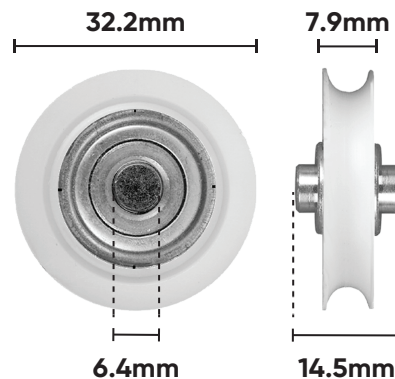


# 1:1 Scale Product Diagram

When printed, this diagram will help identify the replacement part you need. Place your old product over the below diagram to confirm you have the correct product.

**Important:** When printing, ensure "actual size" is checked in settings before printing. To ensure dimension accuracy, measure the printed green and white scale bar below the product diagram.

## Screen Door Concave Roller 32mm



1:1 scale at A4 size