



1 SET

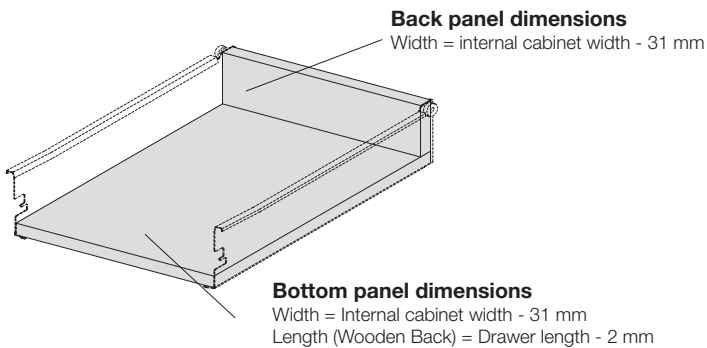
**HÄFELE**

**DRAWER 86MM X 500MM**

Single Extension - White

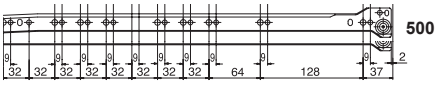


## Cutting dimensions for 16mm chipboard

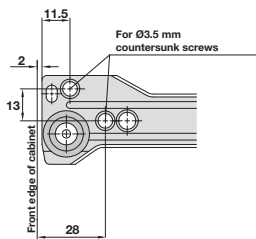


## Single extension (minimum installation depth 505 mm)

### Cabinet profile fixing positions



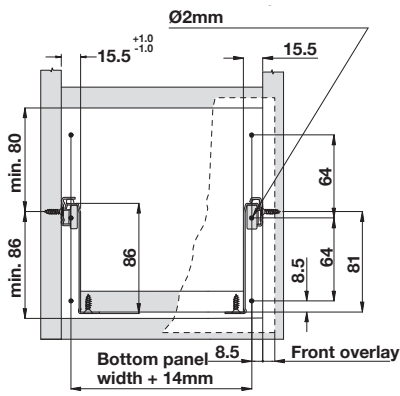
### Drilling pattern for cabinet member



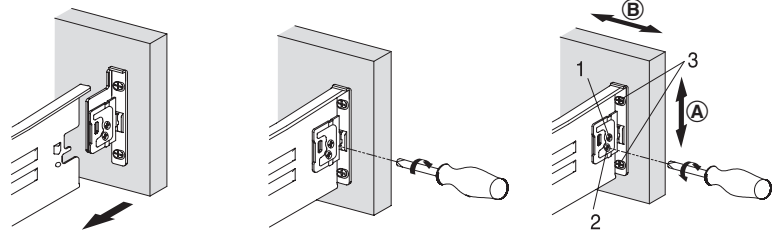
### Front installation dimensions

#### Height 86 mm

For screw-in-front fixing brackets to pre-drill



### With screw-on front fixing



#### (A) Height adjustment:

Loosen screw 1 slightly  
Adjust eccentric screw 2  
Adjustment range + 1.8 mm  
Re-tighten screw 1

#### (B) Side adjustment:

Loosen screw 3 slightly  
Move front into required position  
Adjustment range + 1.5 mm  
Re-tighten screw 3

MADE IN MALAYSIA

