

PRODUCT FEATURES:

- White powdercoat finish
- Surface mounted
- Tumbler lock

Overall Dimensions
230mm W x 200mm H x 210mm D

PRODUCT DATA:

CONSTRUCTION:

Unit fabricated of zinc seal sheet 22 (0.7) gauge stainless steel with exposed surfaces in powdercoated white enamel finish. Smooth corners, free of burrs and sharp edges. Tumbler lock. Unit is fixed closed with ball and catch. Cabinet hinged at the base to allow easy filling. Rolled edge on dispenser opening.

CAPACITY:

Standard 80m roll - 197mm W x 145mm diameter. Bradley Model E8016.

OPERATION:

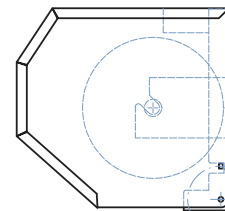
Removable spindle holds roll secure without use of any special adaptors. Push unit toward wall to fix ball and catch.

INSTALLATION:

Secure to wall with mounting screws (included) at holes provided.

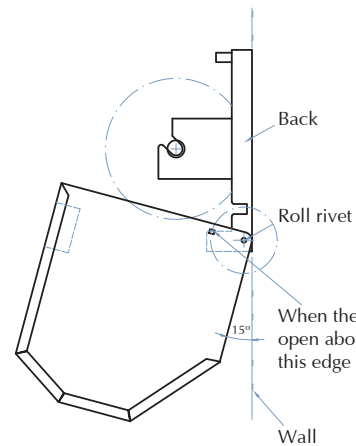
GUIDE SPECIFICATION:

Surface mounted roll towel dispenser shall be fabricated of zinc seal sheet 22 (0.7) gauge stainless steel with exposed surfaces in powdercoated white enamel finish. Smooth corners and burr free edges. Unit is fixed closed with ball and catch. Roll towel dispenser capacity one standard 80 metre roll.



PICTURE 1

Adding the punch hole edges on the left and right sides of the cover



PICTURE 2

