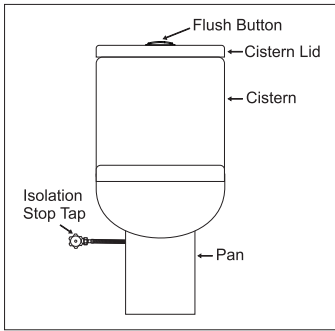
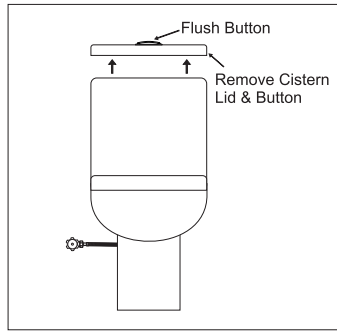


Kinetic

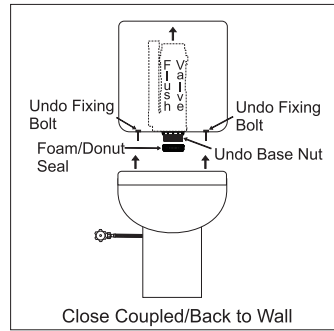
Cistern Outlet Valve Plumbers Installation Guide



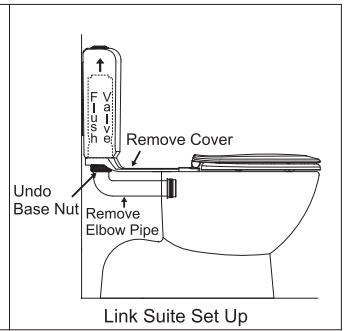
① Turn off the water supply at the isolation stop tap. Flush the toilet to remove the water from the cistern.



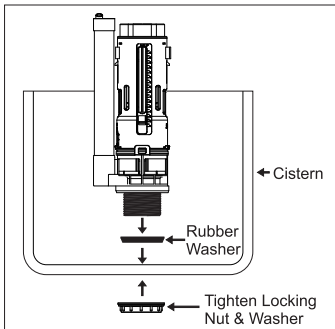
② Remove the Cistern Lid. You may need to unscrew the flush button on some cisterns.



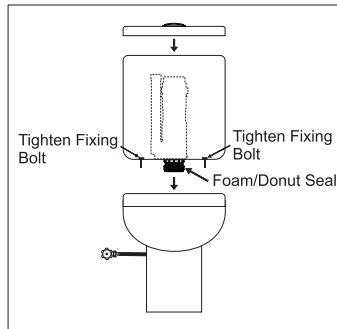
③ Remove the old flush valve. You may need to remove the cistern from the Pan. On a link suite, you need to remove the elbow pipe and then undo the base nut.



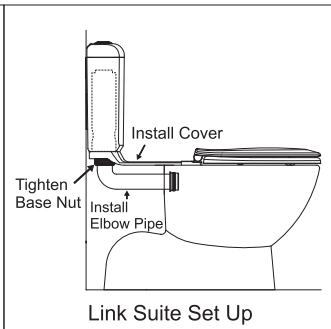
Link Suite Set Up



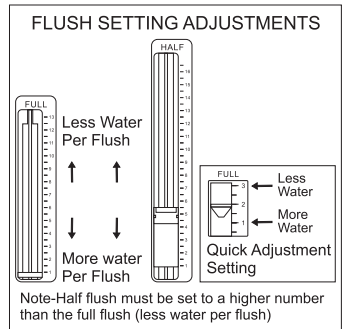
④ Install the new Kinetic Flush Valve. Ensure the rubber washer is installed inside the cistern.



⑤ Reinstall the cistern onto the Pan. Tighten all Locking Nuts to ensure there are no leaks, then install the cistern lid and button.

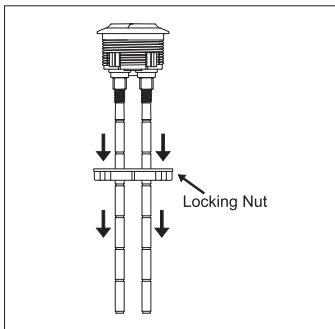


Link Suite Set Up

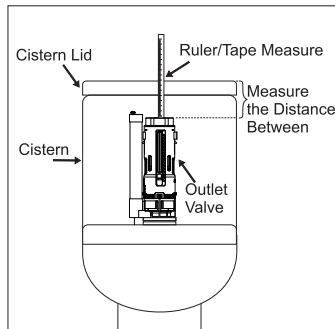
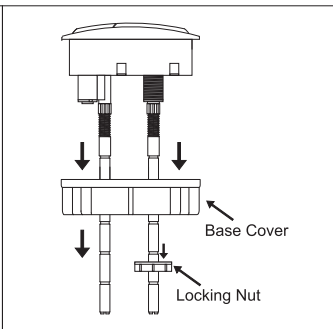


Note-Half flush must be set to a higher number than the full flush (less water per flush)

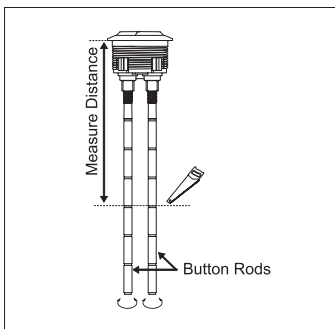
Flush Button Installation



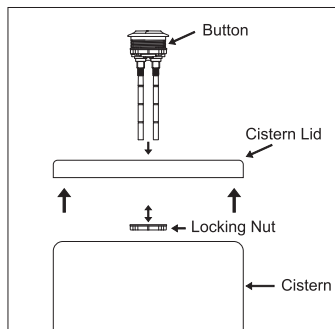
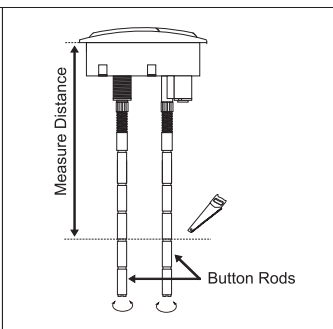
① Remove Locking Nut and Base Cover on some models.



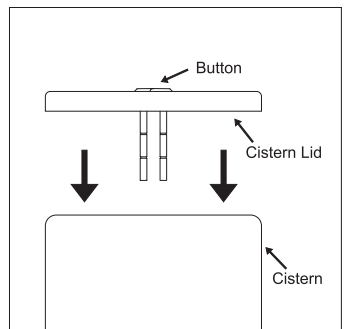
② Place the cistern lid into position & measure the distance from the top of the Cistern Lid to the top of the Outlet Flush Valve.



③ Trim the Button Rods to the measured length, then install the Button and check the length. You can turn the button rods to make small adjustments.



④ Remove the Cistern Lid and install the button into position by tightening the Locking Nut.



⑤ Install the Cistern Lid onto the Cistern, then do several flush tests.

Trouble Shooting

* Water keeps running into the Pan when I'm not pushing the button – This can be caused by the Button Rods being too long and they are causing the outlet Valve to remain open and this allows water to flow into the Pan. You can fix this by cutting the Button Rods shorter, small adjustments can be made by turning the Button Rods * refer to step 3

* When I push the Flush Buttons nothing happens – Firstly check to make sure you have turned on the isolation tap so that your toilet has water, if you still have a problem then check to see if your Button Rods are not too short, small adjustments can be made by turning the Button Rods * refer to step 3

Warranty Guidelines

This Kinetic product comes with a guarantee that cannot be excluded under the Australian Consumer Law. You are entitled to a replacement or refund for a major failure and for compensation for any other loss or damage.

You are also entitled to have the goods repaired if the goods fail to be of acceptable quality and the failure does not amount to a major failure.

This warranty covers material and workmanship defects for domestic use only.

The following is not covered by warranty - wear and tear to working parts, misuse/abuse and discolouration due to exposure to sunlight or cleaning chemicals. Please keep your receipt for proof of purchase.