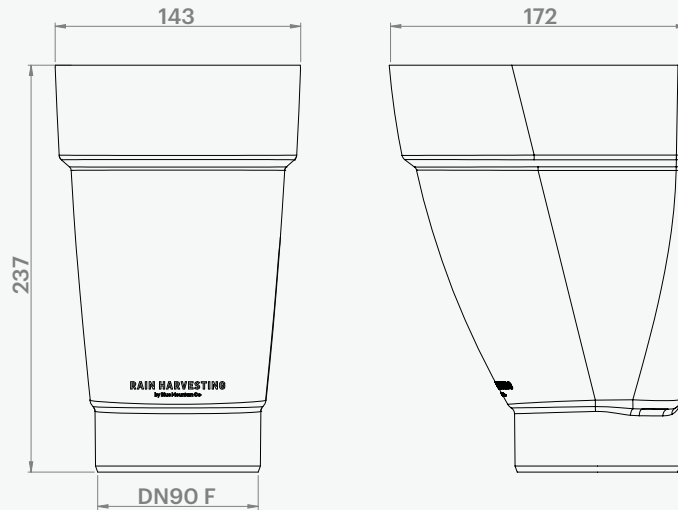


PRODUCT DIMENSIONS

Leaf Catcha Slimfit
65mm / 80mm / 90mm / 3"



ALL DIMENSIONS IN MM UNLESS OTHERWISE STATED.

Pipe Fitment

RHLC21	DN90 F (Socket)	90mm pipe fits inside
RHLC121	3" SDR35 (Socket)	3" pipe fits inside
RHLC221	65mm & 80mm (Socket)	65mm & 80mm pipe fits inside

DISCLAIMER This product specification is not a complete guide to product usage. Further information is available from Rain Harvesting Pty Ltd and from the Installation and Operating Instructions. This specification sheet must be read in conjunction with the Installation and Operating Instructions and all applicable statutory requirement. Product specifications may change without notice. © Rain Harvesting Pty Ltd.

RAIN HARVESTING
by Blue Mountain Co

+61 (0)7 3248 9600

rainharvesting.com.au

RAIN HARVESTING
by Blue Mountain Co

Leaf Catcha Slimfit



Installation and Specification Guide

PRODUCT DETAILS

Keep leaves and insects out of your rainwater system and maximise your rainwater catchment.

RHLC21	90mm
RHLC121	3"
RHLC221	65/80mm

FEATURES AND BENEFITS

- Keep leaves and debris out of your pipes and tank to prevent clogging, blockages, anaerobic fermentation and tannin leaching
- 0.955mm stainless steel mosquito proof screen prevents pests from getting into your downpipes
- Slim design is suitable for mounting on posts and tight spots
- Easy maintenance with a removable screen.
- High flow rate capacity

Installation

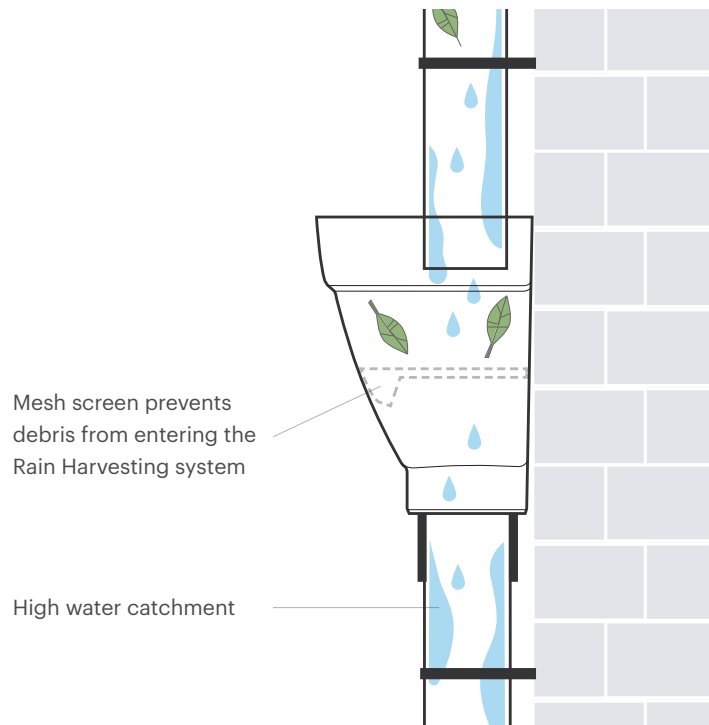
WHAT'S IN THE BOX?

- Leaf Catcha Slimfit body
- Leaf Catcha Slimfit screen
- Adaptors (RHLC221 version only)

TOOLS/MATERIALS YOU MAY REQUIRE

- Tape measure
- Marker pen
- Saw
- Pipe brackets
- Screws
- Screwdriver or drill

HOW IT WORKS



LEAF CATCHA SLIMFIT

1. Select the location point for your Leaf Catcha Slimfit rain head – it can be midway down your downpipe or directly under the eaves. Either way, ensure it is a minimum of 500mm above your tank inlet and tank overflow pipe.
2. Remove a 170mm section of pipe at your desired installation point. Ensure all cut edges are clean and smooth.
3. Ensure the pipe is secure against the wall with pipe brackets / clips.
4. Place the mesh screen in your Leaf Catcha Slimfit, making sure that the lip of the screen clicks under the retaining bumps.
5. Angle your Leaf Catcha Slimfit slightly to slip it under the upper section of downpipe, then slide it into line and push the unit down so that the outlet sits on the lower section of downpipe. Do not glue in place.
6. You can use the rear screw holes to secure your Leaf Catcha Slimfit to the wall if required.

MAINTENANCE

For best performance, check and empty your Leaf Catcha Slimfit rain head on a regular basis.

To clean, simply pull the screen out of the Leaf Catcha rain head (or remove the entire rain head if it's easier) and brush off any debris. Once you have cleaned the screen, re-install all parts, making sure that the screen clicks into place in the rain head.