

IMPORTANT:

This Linear Madrid Multi-Lock is designed to suit Left and Right opening doors. Please fasten all screws by hand. Do not use an electric screwdriver or drill as over tightening may impact the products function.

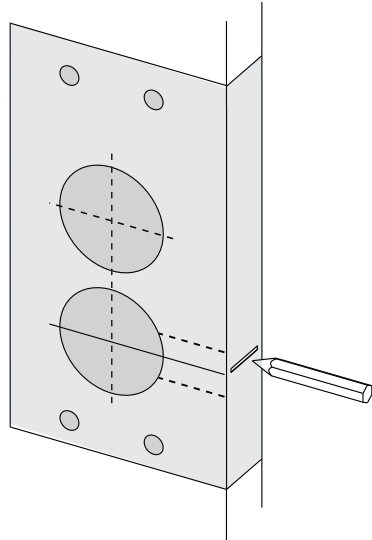
SAFETY TIP:



When assembling or installing this product wear protective gloves and eyewear.

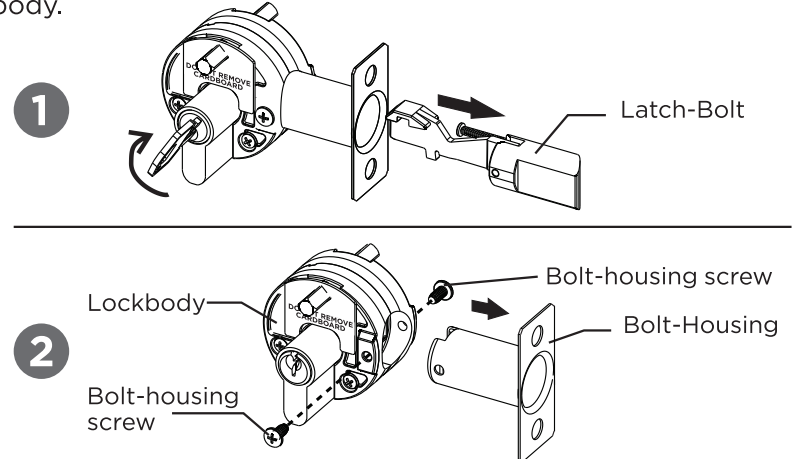
Step 1. Door Preparation

- Fold the supplied template and position.
 - Mark latch height on door edge and mark hole centres of all holes.
 - Position template on other side of door, lining up latch height line to same position as first marking.
 - Measure door thickness and mark centre of door thickness on latch height marking.
 - Pilot drill all holes on both sides of the door with 3mm drill bit.
 - Drill two 54mm holes and four 10mm holes as per template. Drill holes from both sides of door to avoid splintering.
 - Drill 25mm hole into the edge of the door, central to the door thickness. Ensure the hole is drilled squarely.
- NOTE** if retrofitting, 22mm hole is OK.



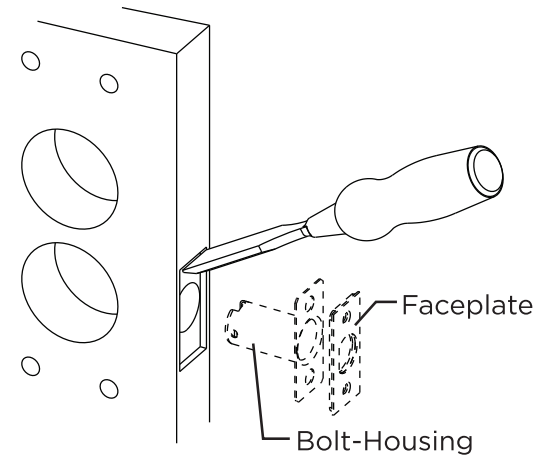
Step 2. Remove Latch-Bolt and Bolt Housing

1. Rotate key until latch-bolt pops out of bolt housing.
2. Remove both bolt-housing screws and pull bolt-housing out of lockbody.



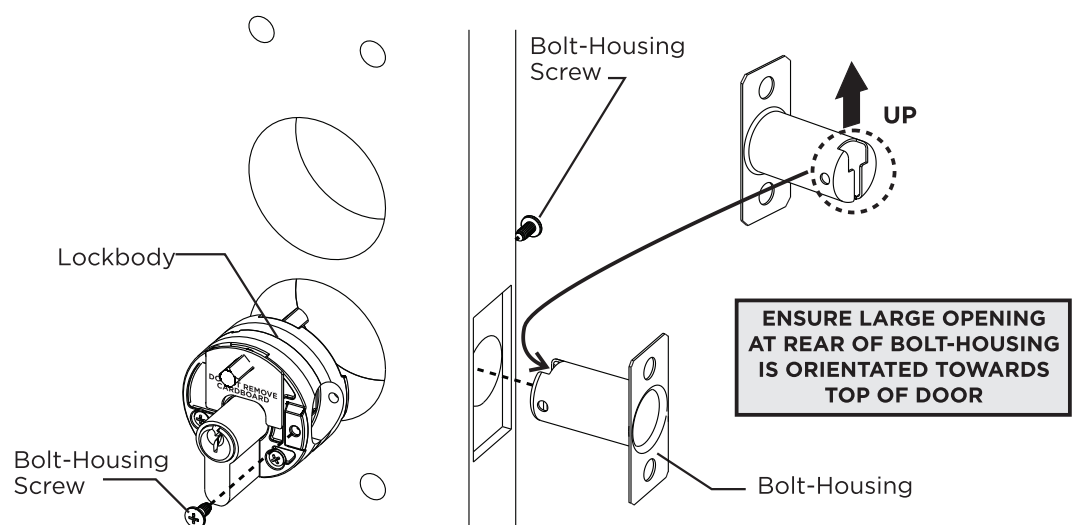
Step 3. Chisel Faceplate Recess

- Position bolt-housing and faceplate centrally within 25mm hole in door edge and mark around the rectangular portion of faceplate.
- Chisel marked rectangle to a depth of 3.5mm or until bolt-housing with faceplate is flush with door edge.
- Remove bolt-housing and faceplate from door before moving to next step.



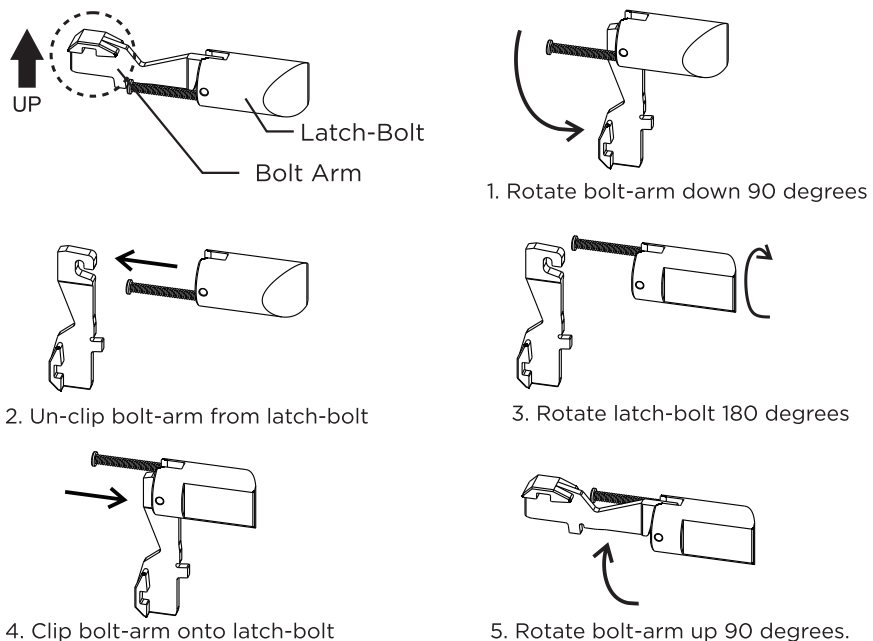
Step 4. Install Lockbody

- Install lockbody into door, with orientation as shown.
- Orientate bolt-housing as shown - **large opening at rear of bolt housing must be orientated towards top of door.**
- Install bolt-housing into 25mm hole in door and locate in lockbody.
- Install 2 x bolt-housing screws, one from each side.



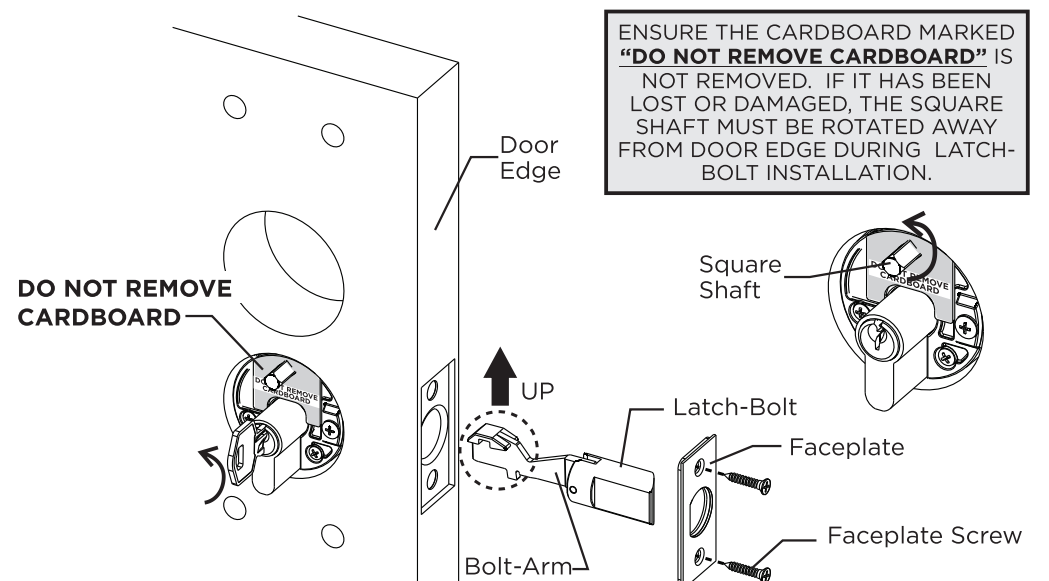
Step 5. Bolt Orientation

- With bolt-arm orientated UP as shown, check that the curved side of the latch-bolt is towards the direction of door closure.
- If curve on latch-bolt is facing the wrong direction, follow steps below to re-orientate the latch-bolt.
- Ensure spring and pin are not removed during bolt re-orientation.

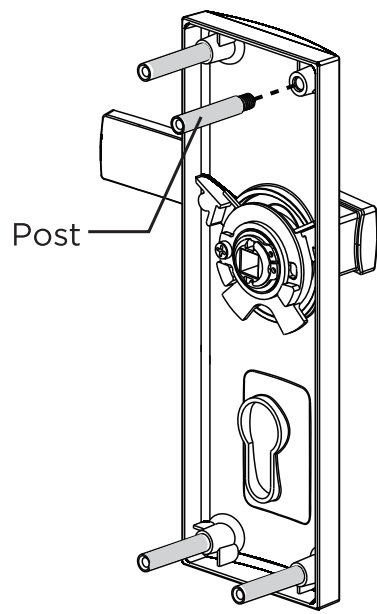


Step 6. Install Latch Bolt and Faceplate

- Push correctly orientated latch-bolt into bolt-housing, ensuring rear of bolt-arm is orientated UP as shown.
- Rotate key away from door edge to retract the latch-bolt.
- If bolt does not retract, then cardboard may have been removed or damaged. If so follow note in diagram below.
- Once latch-bolt is installed, pre-drill holes for faceplate.
- Position faceplate and install two faceplate screws (#6 x 19mm)



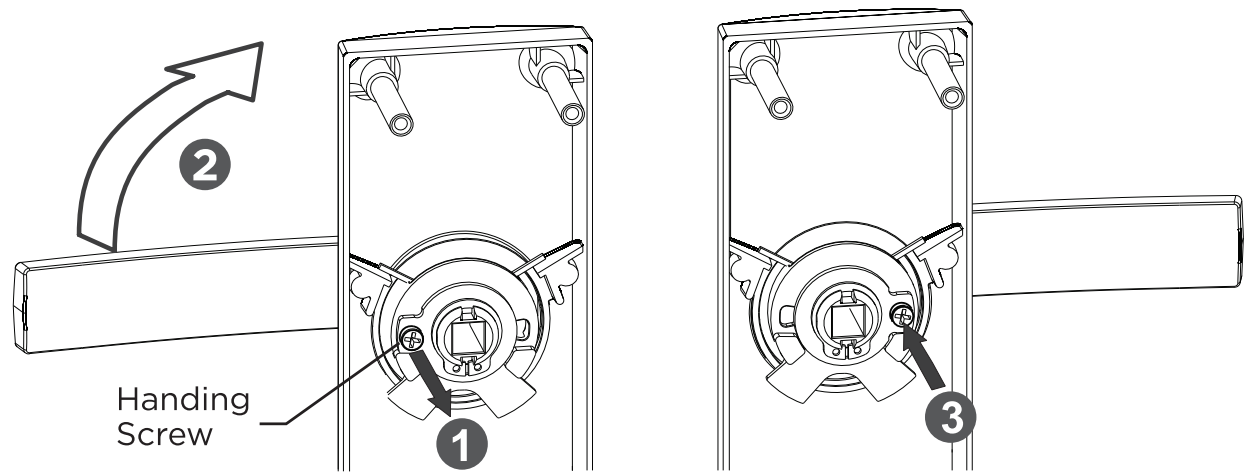
Step 7. Screw Post Installation



Linear Secure

- Install four posts to Linear Secure exterior furniture.

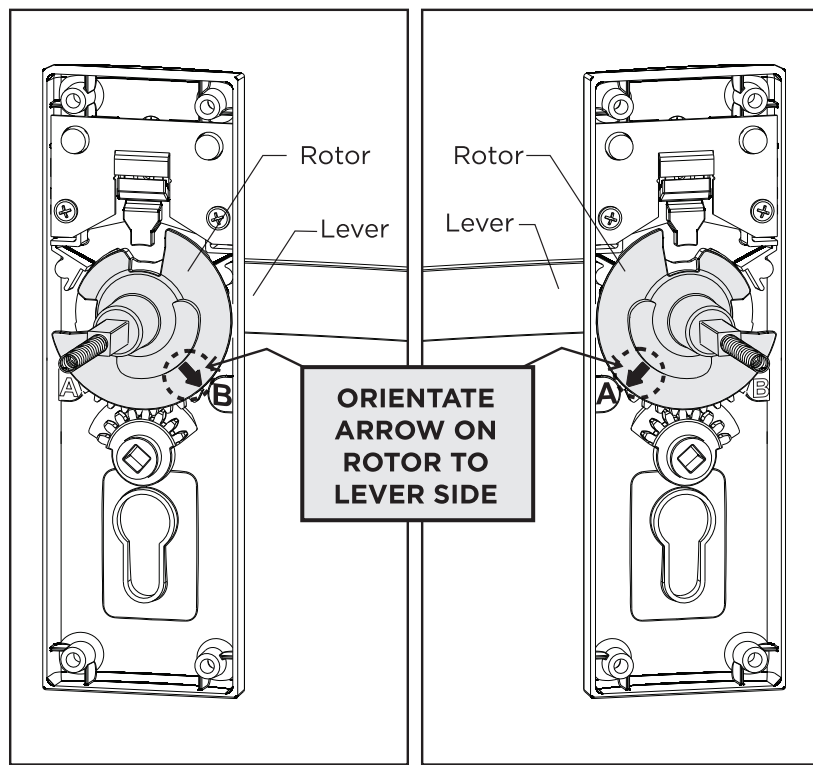
Step 8. Lever Orientation



- Hold Exterior Furniture on outside door face and check that lever orientation is correct.
- If lever orientation needs to be changed:
 1. Loosen the handing screw. (Screw does not need to be removed)
 2. Rotate the lever up and around 180degrees
 3. Re-tighten handing screw.
- Check Interior lever orientation and repeat as above if necessary.

Step 9. Rotor Installation

- Locate Rotor in large square recess in Interior Furniture.
- Orientate arrow on Rotor towards same side as lever as per diagram below.

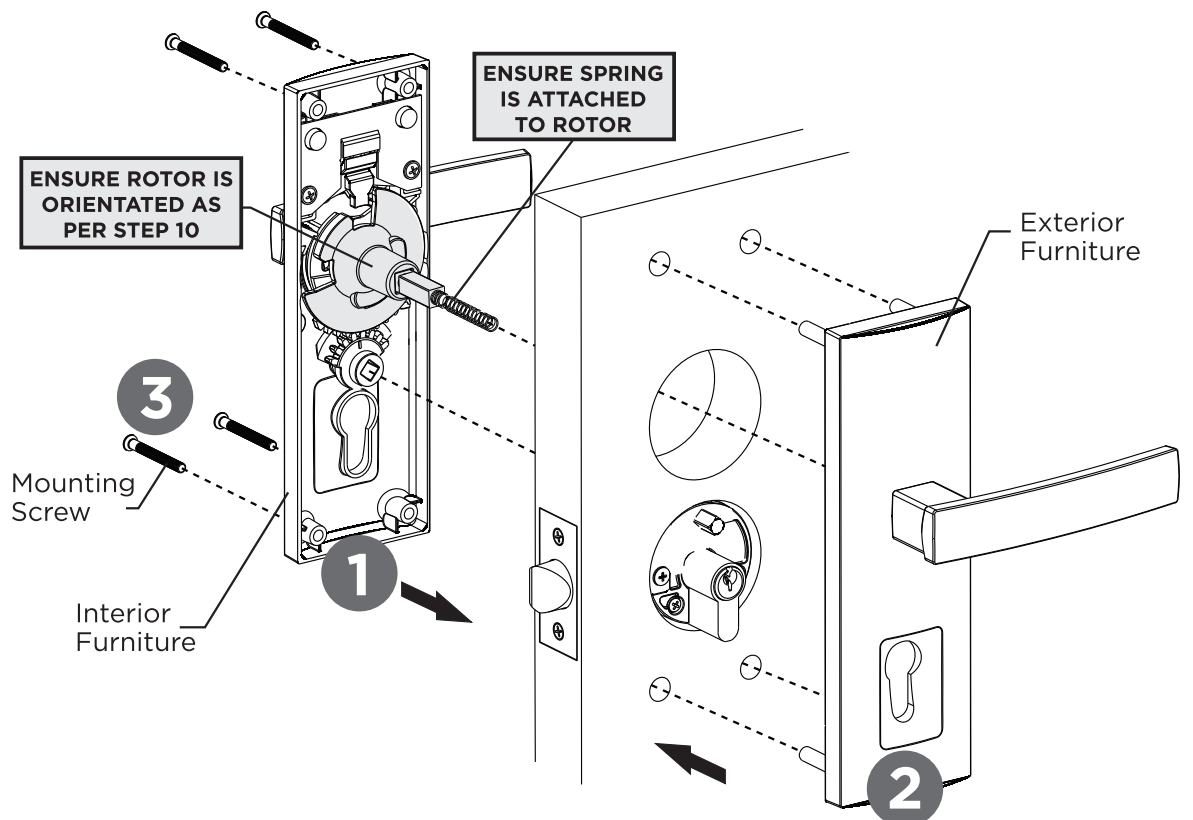


LEVER ON SIDE "B"

LEVER ON SIDE "A"

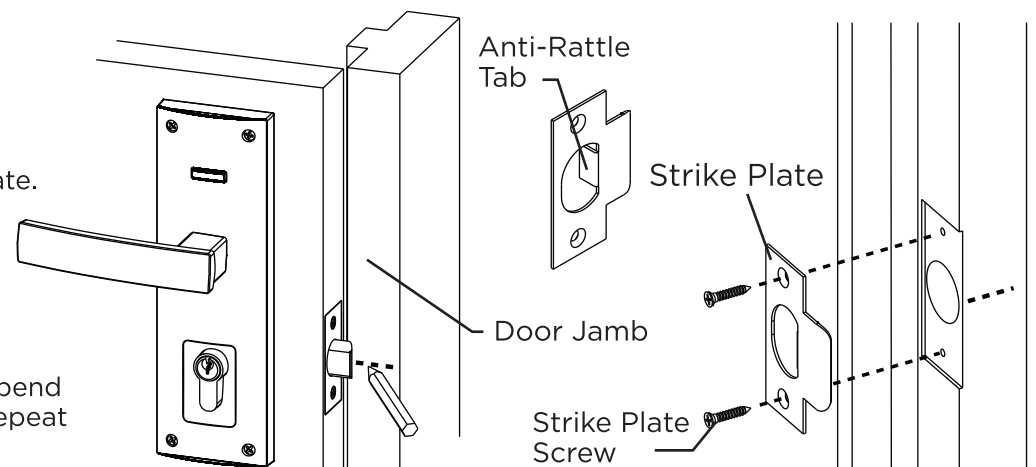
Step 10. Furniture Installation

1. Hold Rotor on Interior Furniture (**with Rotor orientated as per STEP 10**) and place on inside door face.
2. Place Exterior Furniture on outside door face while guiding spring and rotor shaft into Exterior furniture.
3. Install four mounting screws (M4x36mm) through holes in interior furniture and tighten.



Step 11. Strike Plate Installation

- **Ensure door seals are installed before installing strike plate.**
- Gently close the door until the latch-bolt rests on the door jamb.
- Mark centre of bolt on door jamb, this mark can be used to position strike plate.
- Mark and drill 25mm hole inside the jamb to a depth of 25mm on marked bolt centre position.
- Position the strike plate and mark around. Chisel recess until strike plate sits flush with door jamb face.
- Fasten strike plate to door jamb with two strike plate screws (#8 x 25mm)
- Close door and check if the door rattles. If required remove strike plate and bend anti-rattle tab to reduce rattle. Then re-fit strike plate and re-check rattle. Repeat if required.



Delf Design Pty. Ltd provides a lifetime warranty. The warranty covers manufacturer defects in materials, workmanship and finish under normal use. This warranty is provided in addition to other rights and remedies you may have under law. Our goods come with guarantees that cannot be excluded under the Australian consumer law or Consumer Guarantees Act 1993 (NZ). You are entitled to a replacement or refund for a major failure and compensation for any other reasonably foreseeable loss or damage. You are also entitled to have the goods repaired or replaced if the goods fail to be of acceptable quality and the failure does not amount to a major failure. This warranty excludes damage resulting from product misuse or product neglect, any modifications, additions or alterations to the product. To make a claim under this warranty, take the product (with proof of purchase) to any Bunnings store (for AUS customers see www.bunnings.com.au and for NZ customers see www.bunnings.co.nz for store locations). Delf bears reasonable, direct expenses of claiming under the warranty. You may submit details and proof of purchase to our support centre for consideration. This warranty is given by Delf. ABN 37 668 272 213, 45-49 Whitfield Boulevard, Cranbourne West Vic 3977, 1800 349 776, Email: support@delfarchitectural.com.au. 'Delf' is a trademark. © Delf Design Pty Ltd. Version control: DELC-MULTI-08-04-25.