

### PLUMBERS INSTALLATION INSTRUCTIONS

#### Important

- \* Hand Shower (8) is fitted with a flow regulator (7). This lower flow rate may not be suitable for connection to some gravity fed Water Heaters, low pressure supply networks, Instantaneous Water Heaters, Tempering Valves, Solar Water Heaters & Thermostatic Mixing Valves. Check with the manufacturers of these products. Note: Warranty is void if flow regulator (7) not installed as shown.
- \* Not suitable for gravity feed systems.
- \* All pipework must be thoroughly flushed prior to installation, as foreign materials may block the flow regulating device and reduce the flow of water.
- \* SHOWER RAIL(15) MUST NOT BE USED AS A GRAB RAIL.
- \* Drilled holes for attachment of shower rail must be vertical and the distance between them must be accurate to ensure correct fit when rail (15) is installed.

#### Installation

- 1) Check that threaded nipple (1) is the correct length as shown. Cut to length if required ensuring end face is square. Apply thread tape to the thread.  
**Important:** Care must be taken that thread tape cannot become dislodged and block the flow regulating device, causing a reduction in water flow.
- 2) Ensure the 'O'ring (18) is fitted in the groove behind the wall elbow (2), then screw wall elbow (2) onto threaded nipple (1) and position so that the hose (5) will hang vertically down. DO NOT OVERTIGHTEN.
- 3) Determine a position for the shower rail assembly ensuring it is at a suitable height for the user.
- 4) **SOLID WALLS:-** (Brick, masonry blocks, concrete etc)
  - i) Drill 2 holes 6.00mm diameter, 40mm deep.
  - ii) Insert small end of wall plugs (9) into drilled holes and tap until flush with surface.
- 4) **CAVITY WALLS:-** (Villaboard/tile etc)
  - i) Drill hole 6.00mm diameter.
  - ii) Insert small end of wall plugs (9) into drilled hole and tap until flush with surface.
- 5) Remove bottom mounting base (12) from shower rail (15). Slide soap dish (17) into shower rail (15) as shown in Fig.2. Fit bottom mounting base (12) back into shower rail (15).
- 6) Remove the caps (13) & (14) from the top mounting bases (11) and bottom mounting base (12) then insert screws (10) through the front of mounting bases. Insert the screw ends into the wall plugs (9) installed and tighten the screws (10) to ensure mounting based firmly against wall tile face. Fit cap (13) back into top mounting base (11). Fit cap (14) back into bottom mounting base (12).

#### HANSHOWER - THREE FUNCTIONS

- FULL SPRAY (INNER HOLES)
- COMBINATION SPRAY (INNER + INTERMEDIATE HOLES)
- COMBINATION SPRAY (INNER + INTERMEDIATE + OUTER HOLES)

<b>IMPORTANT</b>	
<b><u>Pressure &amp; Temperature Requirements.</u></b>	
<ul style="list-style-type: none"> <li>• Hot and cold water inlet pressures should be equal.</li> <li>• Static inlet pressure range : 150 - 1000 kPa New Regulation :-500 kPa maximum static pressure at any outlet within a building.(Ref. AS/NZS 3500.1)</li> <li>• Maximum hot water temperature : 70°C.</li> </ul>	
<b><u>Installation Requirements.</u></b>	
<ul style="list-style-type: none"> <li>• The installing plumber is responsible for waterproofing all penetrations for Taps in Shower areas at installation by a proprietary flange system or a sealant.(Ref AS3740)</li> </ul>	

- 7) Check that rubber washer (3) is installed into the shorter nut (4) of shower hose (5) then screw onto the thread spigot of wall elbow (2) and tighten. Ensure the flow regulator (7) is fitted into handset (8) and the rubber washer (3) is fitted into the longer conical end (6) of shower hose (5), then screw onto handshower (8) and tighten. Fit handshower (8) into holder (16).  
**Note:** Height of hand shower (8) can be adjusted by anticlockwise rotating knob on holder (16) and sliding the holder up or down then clockwise rotate the holder to tighten. The Handshower spray can be adjusted by rotating the lever on handshower (8).

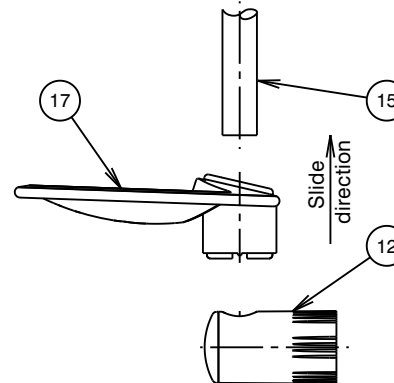


Fig.2

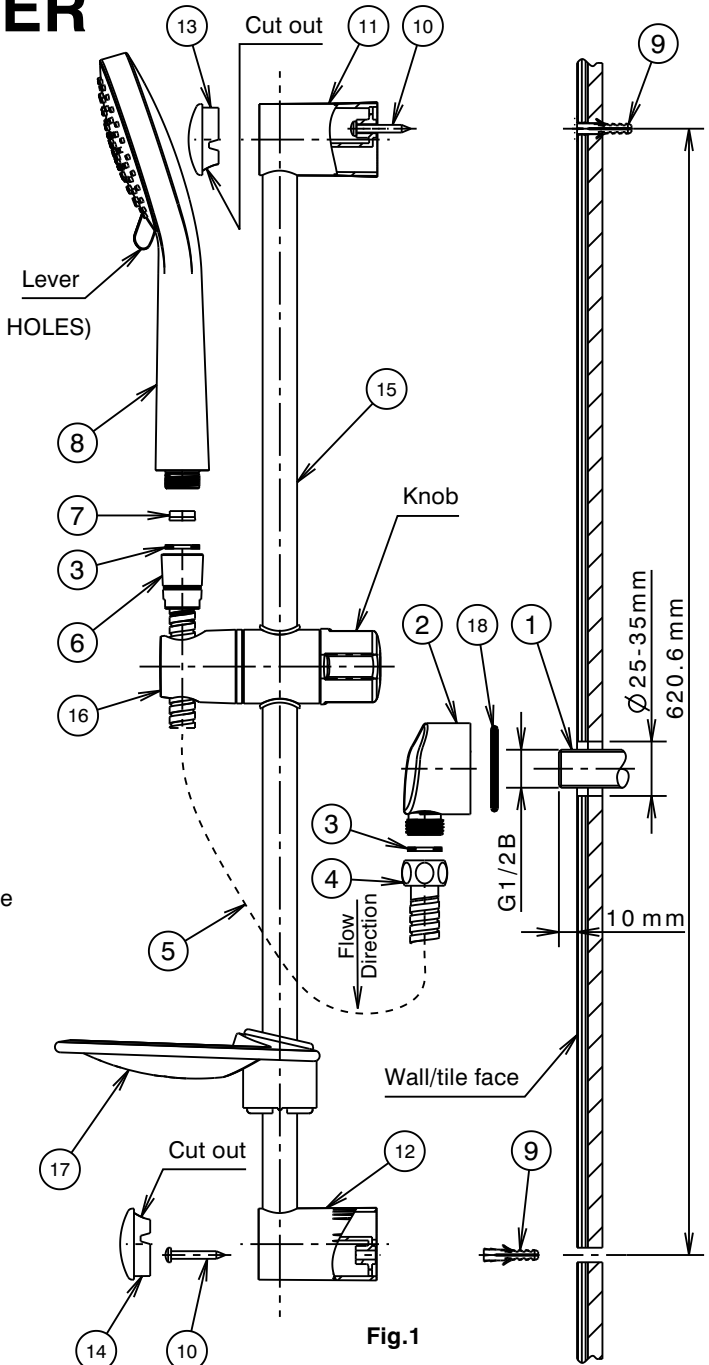


Fig.1