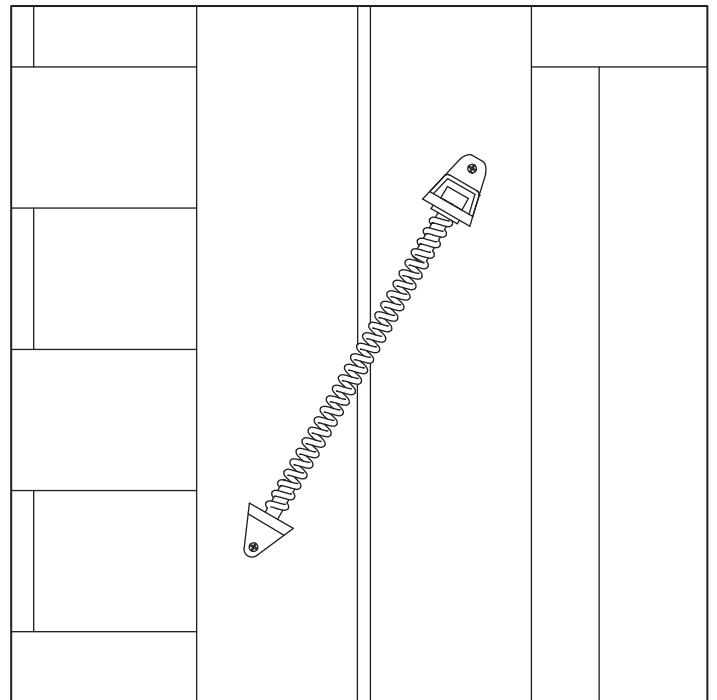
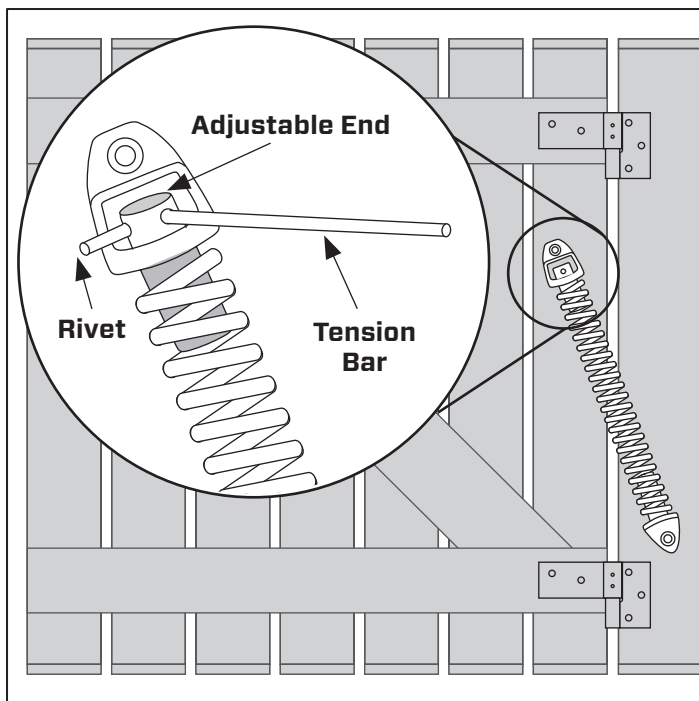


250mm Coil Spring

Tools required: Pencil, No.2 Phillips screwdriver, drill and 2mm drill bit.

Installation instructions:

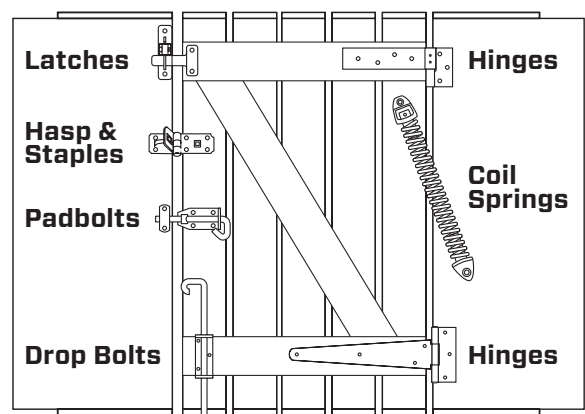
1. Determine the position of the gate spring, ensuring it is on the hinge side of the gate.
2. Make sure the adjustable end is positioned at the top for easier access. Mark screw locations and drill pilot holes with a 2mm drill bit.
3. To tighten the spring, insert the tension bar into one of the holes on the adjustable end and turn clockwise to desired tension. Then insert the rivet to hold spring in place.
4. Adjust the tension of the gate spring as required.



Corrosion Protection Chart

Finish:	Rating:			
Stainless Steel	Ultimate	Shield	Shield	Shield
Galvanised	High	Shield	Shield	
Zinc Plated	Moderate	Shield		

Pinnacle Gate Hardware Range



Suitable for model no: SPR006.

CONNECT WITH US!
PINNACLE.NET.AU

