

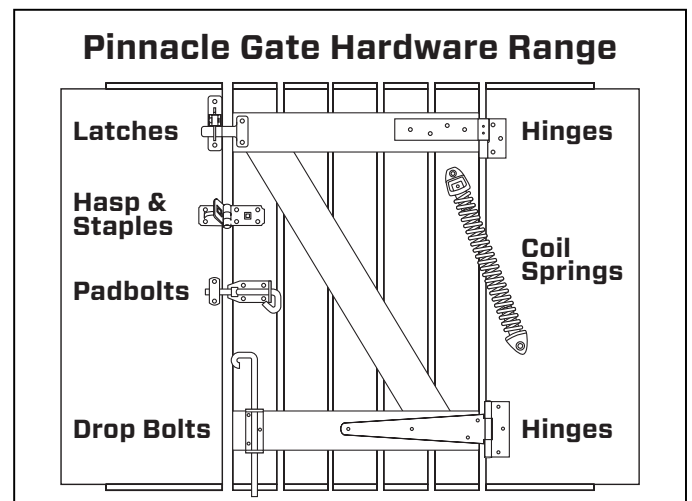
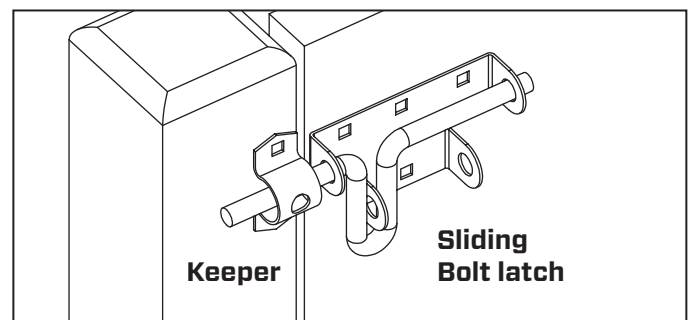
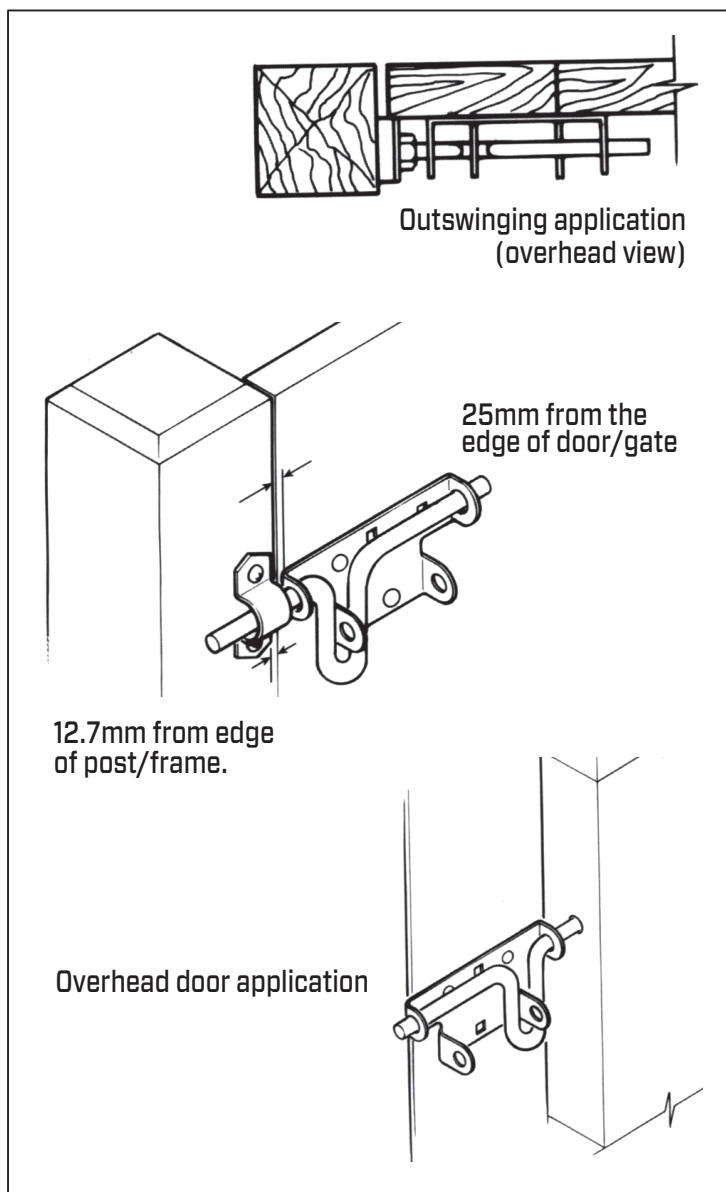
300mm Drop Bolt

Tools required: Pencil, No.2 Phillips screwdriver, drill, 3mm and 6mm drill bit and 11mm spanner.

Installation instructions:

1. Place sliding bolt latch (in locked/extended position) in desired location.
2. Mark screw locations and drill pilot holes with 6mm drill bit.
3. Fasten the sliding bolt latch with the provided coach bolts.
4. Position the keeper over extended sliding bolt (locked position). Mark and drill 3mm pilot holes and fasten with screws.

Note: For coach bolts use a 6mm drill bit.



Corrosion Protection Chart

Finish:	Rating:			
Stainless Steel	Ultimate	Shield	Shield	Shield
Galvanised	High	Shield	Shield	
Zinc Plated	Moderate	Shield		

Suitable for model no: GHS012.

CONNECT WITH US!
PINNACLE.NET.AU

