

**RYOBI®**

**RAC5007**

ORIGINAL INSTRUCTIONS

# Safety Helmet Kit



Safety, performance, and dependability have been given top priority in the design of your safety helmet.

### INTENDED USE

It is easy to use and lightweight.

The safety helmet is designed to protect your head from falling objects in the factory or building site. The safety helmet complies with the industrial safety helmet requirements as per AS/NZS 1801.

The face shield provides face protection in a work area. The face shield complies with the requirements of AS/NZS 1337.

The earmuffs provide hearing protection from use of machines emitting high frequency noise. They are attached to the safety helmet. The earmuffs comply with the requirements of AS/NZS 1270.

### GENERAL SAFETY WARNINGS

#### WARNING

**Read all safety warnings and all instructions.** Failure to follow the warnings and instructions may result in serious injury. Save all warnings and instructions for future reference.

### HELMET SPECIFIC SAFETY WARNINGS

- Use only original accessories and spare parts recommended by the manufacturer.
- Regularly inspect to check for damages. If the product shows signs of damage or wear, replace the product immediately.

### FACE SHIELD SPECIFIC SAFETY WARNINGS

- The product is for face protection against moderate impact hazards but it is still possible to break when subjected to such hazards.
- The face shield is used for face protection against moderate impact of non-breakable objects or hazards.
- Do not modify or alter the face protector.
- Pitted or scratched screen reduces vision and protection capability. You must replace the mesh visor immediately when damaged.
- The face protector does not have any filtering action. It does not protect you from molten metal splash, hot solids, liquid projection, ultraviolet light, infrared light, and electrical hazards.
- Always check with the supervisory personnel to ensure you are given the proper protection relative to your working conditions.
- The protectors against high speed particles launched toward the face shield can cause shock and hazard to the user.

### EARMUFFS SPECIFIC SAFETY WARNINGS

- The earmuffs should be regularly checked for serviceability. Put the earmuffs on before exposing yourself to noise and wear them during the entire noise exposure.

- The product may be adversely affected by certain chemical substances.
- Earmuffs, cushion in particular, may deteriorate during use. Examine the earmuffs at frequent intervals to check for cracking and deterioration.
- Replace the earmuffs after 2 to 3 years of normal use or sooner if they show any signs of deterioration.
- Fitting of hygiene covers to the cushions may affect the acoustic performance of the earmuffs.
- Earmuffs must be worn in noisy environment at all times.
- Ear protection is reduced if the earmuffs are not well fitted, not regularly checked, or not always worn in noisy environment.
- Make sure the earmuffs are fitted, adjusted, and maintained in accordance with the instruction manual.

### INSTALLATION AND ADJUSTMENT

#### INSTALLING AND ADJUSTING THE SUSPENSION TO THE HELMET

- Install the suspension to the helmet by inserting the four suspension hanger keys to the four slots of the helmet.
- Adjust the sizing strap of the suspension headband according to the size of your head until you feel comfortable and snug.

#### INSTALLING AND ADJUSTING THE FACE SHIELD

- The shield comes with 3 locking tabs which are used to fix the face shield into the helmet.
- Make sure the hold bracket slots fit to the helmet cap before you fix the screws.

#### INSTALLING AND ADJUSTING THE EARMUFFS

- Insert the connector of the earmuffs into the earmuff slots of the helmet.
- Put on the helmet. Lower the earmuffs and adjust to adequate height and pressure so they fit snugly against your head.
- Make sure the helmet suspension does not interfere with the earmuffs.
- To remove the earmuffs from the helmet, use a screw driver to push the ear muff connector out of the slot.

### TRANSPORTATION AND STORAGE

- When not in use, it is recommended to store the safety helmet in a clean and dry polybag or case for optimal protection.
- During any transportation, the safety helmet should be protected from contamination or damage by the use of a suitable transport packaging.

### MAINTENANCE

- Do not use any abrasive materials or solvents to clean the product.
- Clean the parts with warm and soapy water. Dry the product with a soft, dry cloth.
- Any parts of the helmet that come in contact with the

user, such as the suspension and earmuffs, must be disinfected.

- You may make adjustments and repairs described in the manual. For other repairs, contact the authorised service centre.

## SPECIFICATIONS

Safety helmet

Model RAC5007

Head fit size 55-62 cm

Weight

Helmet cap and suspension 0.35 kg

Face shield 0.11 kg

Ear muff 0.27 kg

## CERTIFICATION

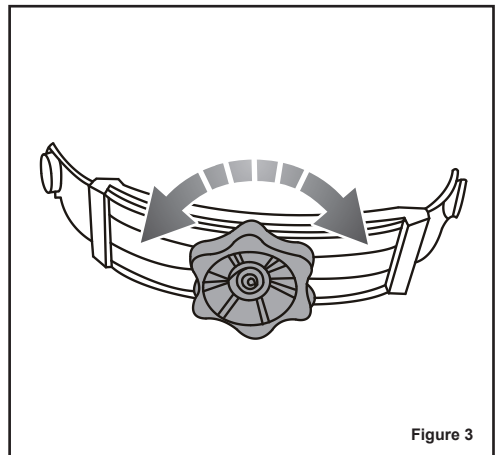
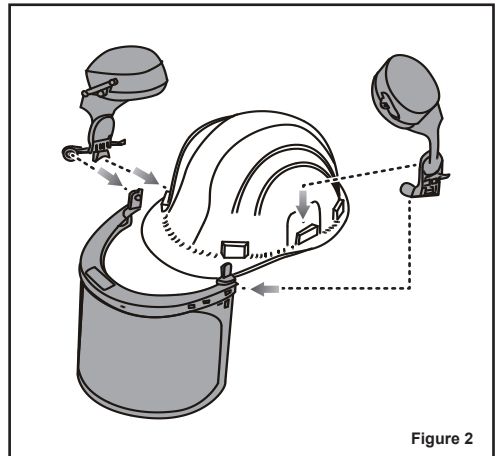
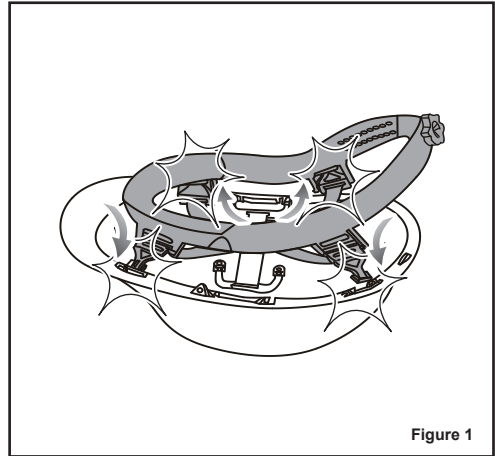
### Notifying Body No. 0501

Critt Sports Loisirs

ZA du Sanital, 21 rue Albert Einstein 86100,  
Châtelleraut, France

### Notifying Body No. 0086

British Standards Institution - PO Box 6221,  
Kitemark Court, Davy Avenue, Milton Keynes,  
MK1 9EP, United Kingdom





**Techtronic Industries (Australia) Pty. Ltd.**  
31 Gilby Road, Mount Waverley,  
VIC 3149, Australia

**Techtronic Industries New Zealand Ltd.**  
2 Landing Drive, Auckland Airport,  
Mangere, New Zealand 2022