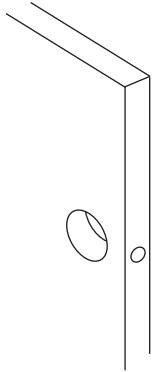


Installation Instructions

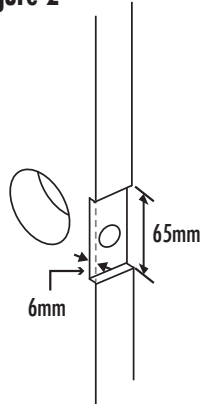
Important: Check to be sure this door reinforcer matches the backset, door thickness and hole size for your installation.

Figure 1



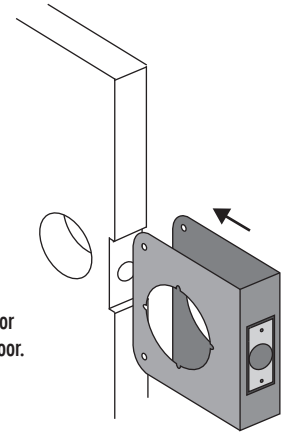
Step 1: Drill holes in door using instructions furnished with lockset purchased or remove old lockset from door.

Figure 2



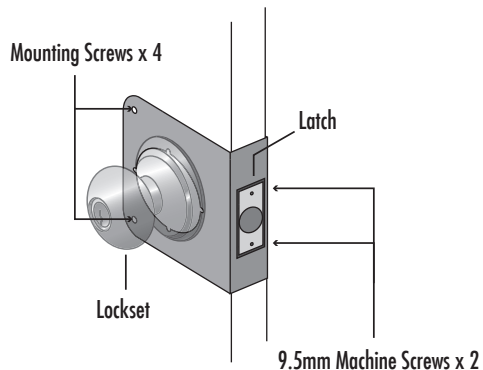
Step 2: Cut out door edge as shown on centre with lock hole.

Figure 3



Step 3: Slide door reinforcer over door.

Figure 4



Step 4: Install latch (with 9.5mm machine screws provided), then lockset. Tighten lockset (not firm) to hold door reinforcer in position. Push door reinforcer flush against edge of door, then tighten lockset. Install 4 mounting screws.

Note: For tight fitting doors – if door reinforcer jams when closing, remove and cut out 0.8mm on door edge so door reinforcer fits flush with door edge.