

## TROUBLESHOOTING

Issue	Cause	Resolution
Waterline is too high or too low.	Inlet or outlet valve requires adjusting to change the water level.	Follow the Height Adjustment instructions on the inlet valve, and/or adjust the outlet valve overflow tube if required.
Inlet valve does not shut off.	<ol style="list-style-type: none"> <li>1. The cistern wall has blocked the movement of the inlet valve float.</li> <li>2. The water level is above the overflow pipe of the outlet valve.</li> </ol>	<ol style="list-style-type: none"> <li>1. Rotate the inlet valve to ensure the float can move freely.</li> <li>2. Adjust height of outlet valve overflow tube, or height of inlet valve following the height adjustment and micro water level adjustment steps, ensuring the Critical Line (CL) mark is 30mm above the overflow tube. If this does not solve the issue, follow the steps for headseal washer replacement.</li> </ol>
Cistern tank will not fill with water, or fills slowly.	<ol style="list-style-type: none"> <li>1. The water supply may not be fully turned on at mini tap.</li> <li>2. The cistern wall has blocked the movement of the inlet valve float.</li> <li>3. The filter may be dirty or blocked.</li> </ol>	<ol style="list-style-type: none"> <li>1. Ensure the water supply is connected and turned on.</li> <li>2. Rotate the inlet valve to ensure the float can move freely.</li> <li>3. Follow the Filter Cleaning steps and rinse valve to ensure no blockages.</li> </ol>

## WARRANTY

### 12 YEAR WARRANTY

This warranty runs for twelve years from the date of purchase. Our products come with guarantees that cannot be excluded under the Australian Consumer Law. You are entitled to a replacement or refund for a major failure and for compensation for any other loss or damage. You are also entitled to have the goods repaired if the goods fail to be of acceptable quality and the failure does not amount to a major failure.

### WHAT IS COVERED

This warranty covers any defects in materials or workmanship with the exception of the reasons stated below. The warranty covers the product used in normal domestic use.

### WHAT IS NOT COVERED

This warranty does not cover wear and tear to working parts, misuse or abuse. It does not cover discolourations due to exposure to cleaning chemicals. The warranty does not cover the headseal washer (replacement part #235275) or the rubber washer for the base (#206367). Warranty will be void if the product has not been installed correctly. The height must be locked in place as per the instructions.

### CLAIM PROCEDURE

If you believe that you have a legitimate claim with your FIX-A-LOO® Hush Fill™ Inlet Valve, please contact FIX-A-TAP Australia via our website at [www.fixatap.com.au/warranty](http://www.fixatap.com.au/warranty) to complete the warranty claim form. Alternatively you can contact our office on (02) 9476 7400. Any written correspondence should be sent to: FIX-A-TAP Australia, PO Box 200, Wahroonga NSW 2076 Australia. Please keep your receipt for proof of purchase.

# FIX-A-LOO.

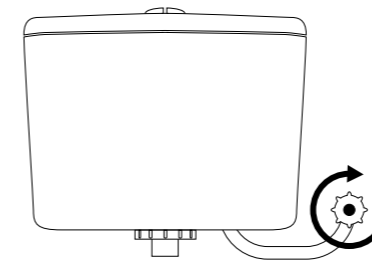
# Hush Fill™

## BOTTOM ENTRY CISTERN INLET VALVE

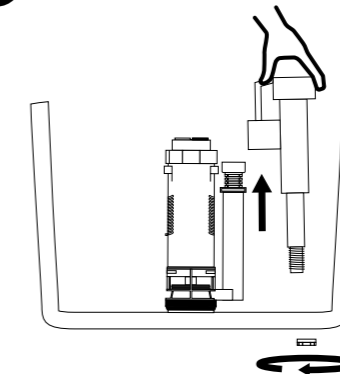
## INSTALLATION INSTRUCTIONS

STEP-BY-STEP INSTRUCTIONS OVERLEAF

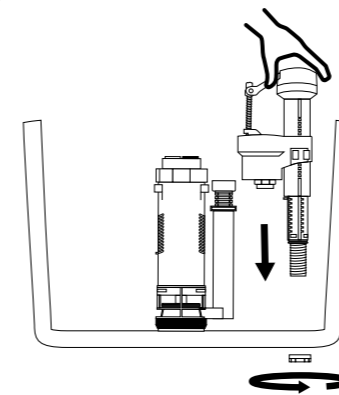
### 1 TURN OFF WATER SUPPLY



### 2 REMOVE OLD VALVE



### 3 INSTALL HUSH FILL INLET VALVE



## PlumbConnect

Backflow prevention must comply with AS/NZS 3500.1 requirements. To ensure compliance and a correct installation, we recommend using a licensed plumber.

To find a plumber in your area, consult our PlumbConnect Registry with this QR code.



WaterMark  
AS 1172.2  
WMKA20080  
SAI GLOBAL  
REF: A1280

**FIX-A-TAP®**  
AUSTRALIA PTY LTD  
The Ultimate Plumbing Solution  
PO Box 200 Wahroonga  
NSW Australia 2076  
[www.fixatap.com.au](http://www.fixatap.com.au)

© Copyright FIX-A-TAP® 2022  
Made in China



PlumbConnect



To find a plumber in your area, consult our PlumbConnect Registry with this QR code.



A family owned Australian business

Quality Assured Products  
FIX-A-TAP has been providing Australians with quality plumbing products since 1972.



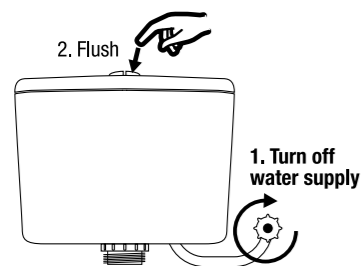
✓ EASY TO INSTALL  
✓ QUIET FILL OPERATION



WaterMark  
AS 1172.2  
WMKA20080  
SAI GLOBAL  
A1280

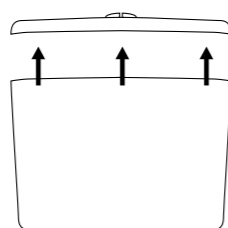
**PREPARATION (REMOVE OLD VALVE)**

**1 TURN OFF WATER SUPPLY**



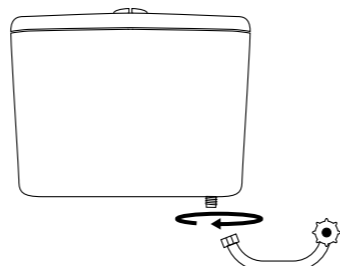
Turn off water supply at mini tap. Flush cistern until it is empty.

**2 REMOVE CISTERN LID**



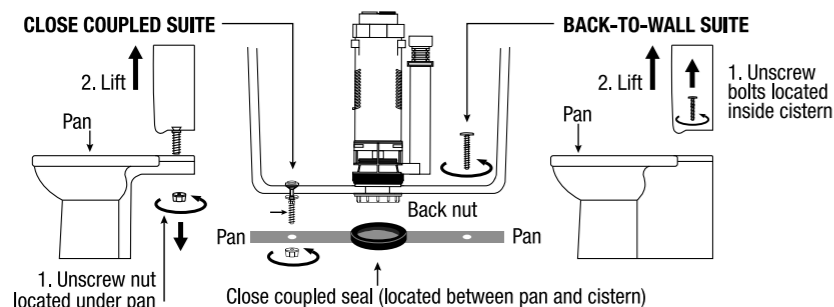
Remove cistern lid. (Refer to the cistern manufacturer's instructions if you are unsure how to do this).

**3a EXPOSED PIPE CISTERNS**



Disconnect the water connector by unscrewing the nut.

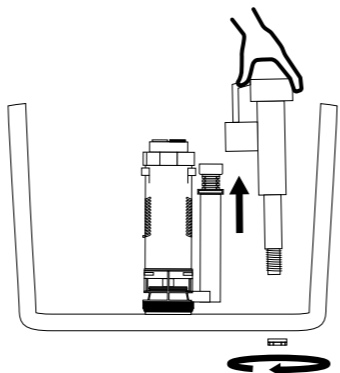
**3b CLOSE COUPLED AND BACK-TO-WALL SUITES**



For a 'close coupled' suite, the cistern will need to be removed by unscrewing the bolts under the cistern and lifting the cistern off the pan.

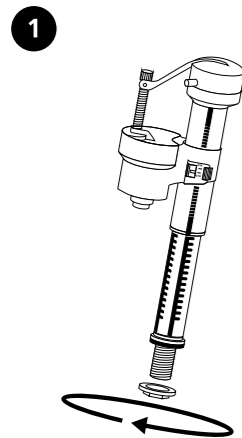
For 'back-to-wall' suites, unscrew the bolts located at the base of the cistern and lift the cistern off the pan.

**4 REMOVAL OF AN INLET VALVE**

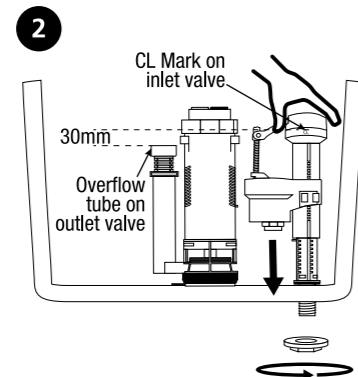


Remove the old inlet valve by unscrewing the backnut and lifting out the valve.

**INLET VALVE INSTALLATION**

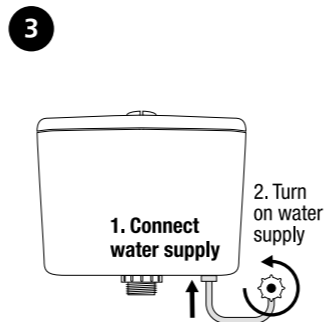


Unscrew the backnut.



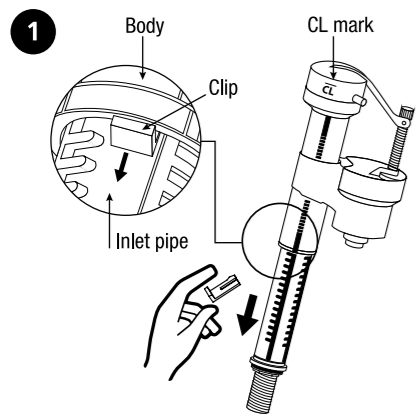
Insert the inlet valve into the hole at the bottom of the tank. Make sure the plastic washer and the rubber washer are on the inside of the tank. Screw on the backnut making sure not to over-tighten. Overtightening may cause the hole to distort which could result in leaking.

**IMPORTANT:** Ensure the Critical Line (CL) is 30mm above the overflow pipe of the outlet valve. If your installation does not comply, follow Height Adjustment steps below to ensure compliance, then repeat installation.

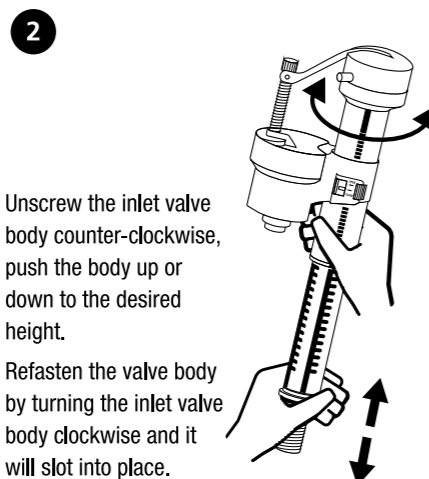


Install water connector onto the threaded shank of the inlet valve, turn on water supply tap and check for leaks.

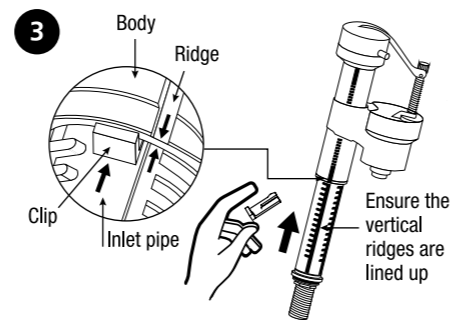
**HEIGHT ADJUSTMENT**



Remove the locking clip by firmly pulling down.

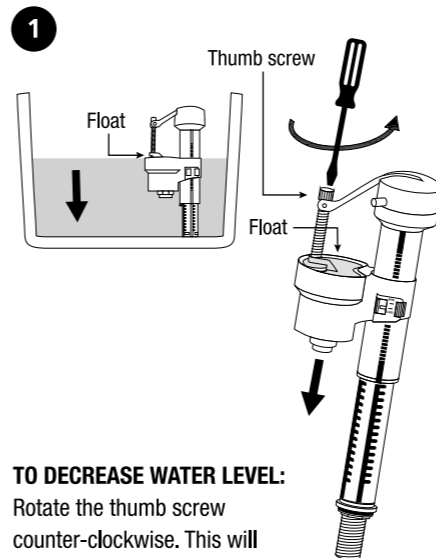


Unscrew the inlet valve body counter-clockwise, push the body up or down to the desired height. Refasten the valve body by turning the inlet valve body clockwise and it will slot into place.

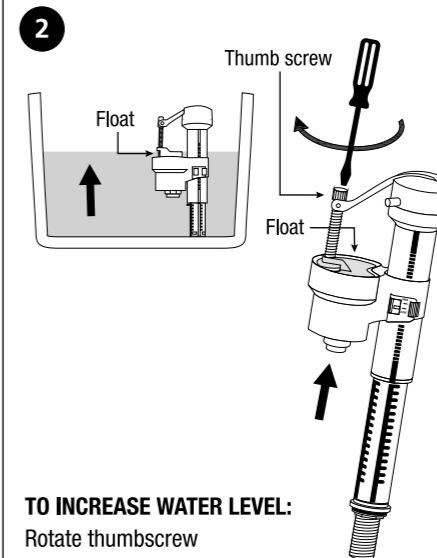


Reinstall the locking clip. **CAUTION: The Critical Line mark must always be 30mm above the overflow pipe and the inlet valve must be properly locked with the locking clip before valve is used.**

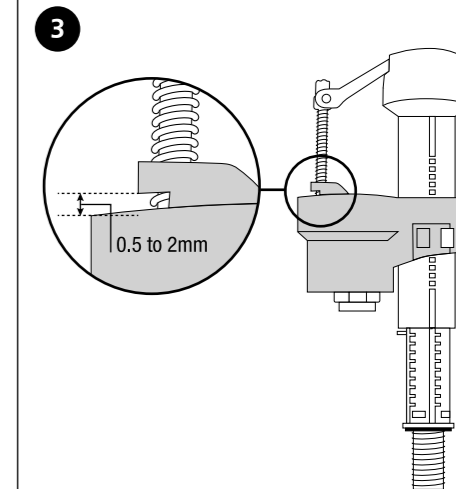
**MICRO WATER LEVEL ADJUSTMENT**



**TO DECREASE WATER LEVEL:** Rotate the thumb screw counter-clockwise. This will move the float down and the water level will reduce.



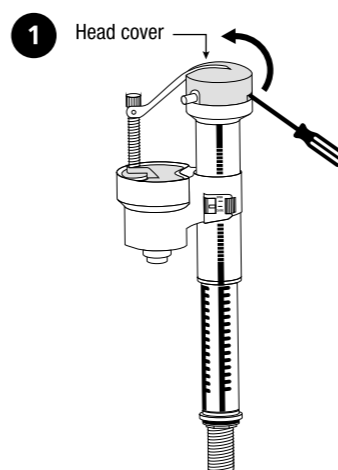
**TO INCREASE WATER LEVEL:** Rotate thumbscrew clockwise, lift the float and the water level will rise.



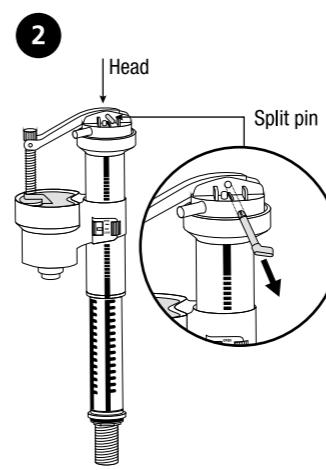
Make sure the distance between the float and the shut-off cup is 0.5-2mm while adjusting.

**MAINTENANCE**

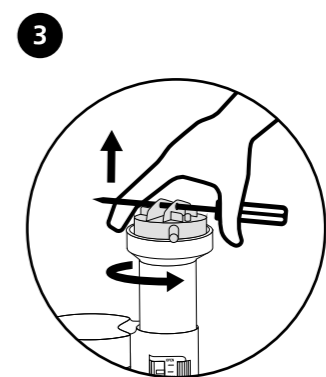
**HEAD SEAL WASHER REPLACEMENT**



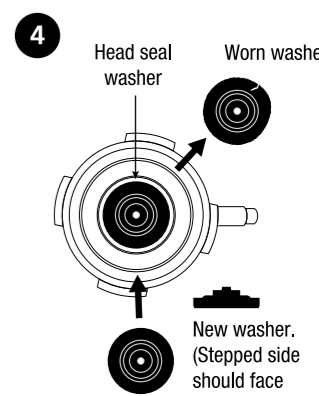
Follow Preparation steps 1-4 and remove inlet valve. Lever the blue cover off the valve with a flat head screwdriver.



Pull out the plastic split pin from the head to remove the float assembly.

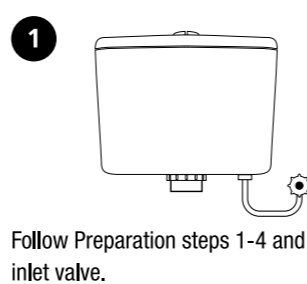


Insert a small screwdriver into the split pin holes and firmly twist the head counter-clockwise to unlock, then lift the head from the valve.

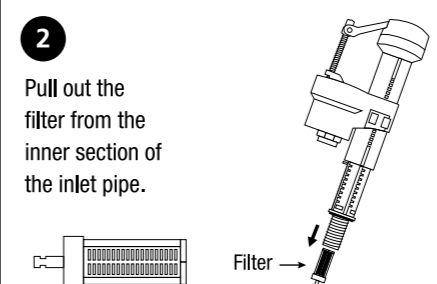


The rubber head seal washer is located inside the head. Remove the old washer and replace with a new washer (sold separately, FIX-A-LOO® #235275). Follow Installation steps 1-3 to reinstall valve.

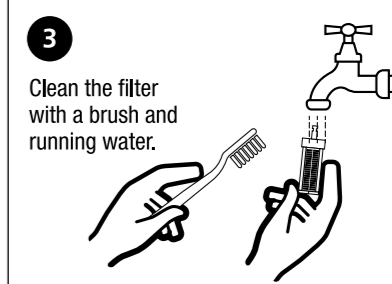
**FILTER CLEANING**



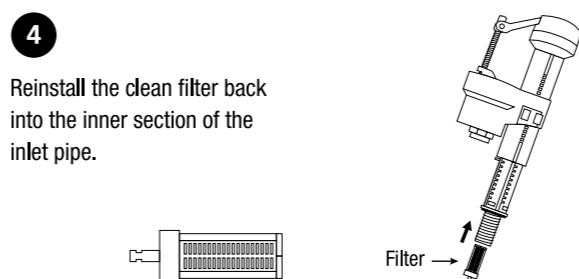
Follow Preparation steps 1-4 and remove inlet valve.



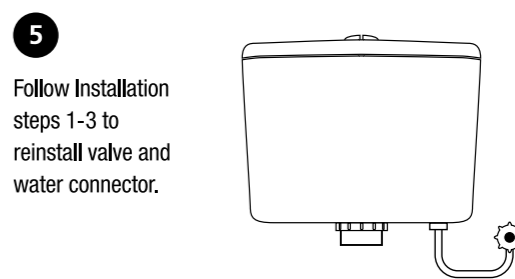
Pull out the filter from the inner section of the inlet pipe.



Clean the filter with a brush and running water.



Reinstall the clean filter back into the inner section of the inlet pipe.



Follow Installation steps 1-3 to reinstall valve and water connector.